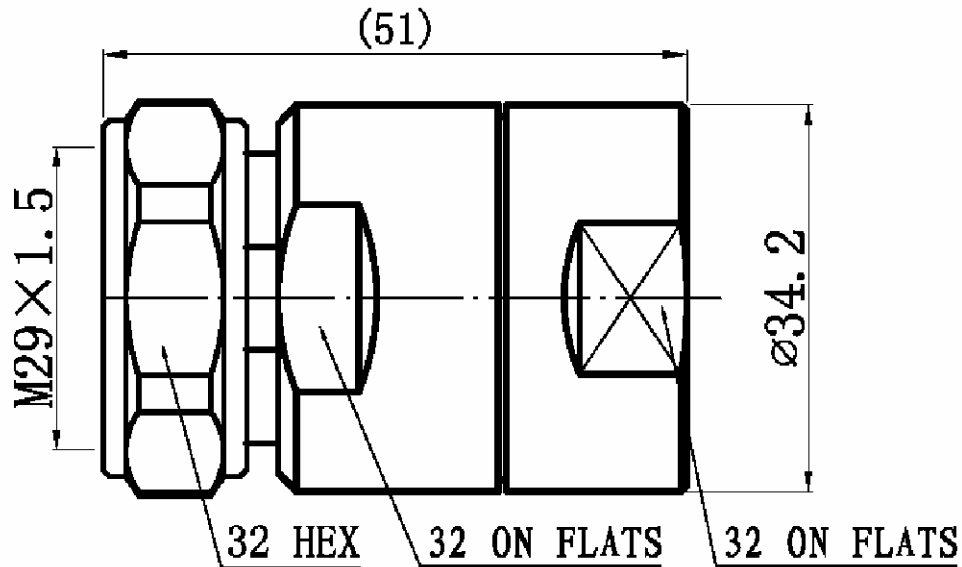


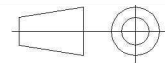
**STRAIGHT PLUG EZ FIT TYPE**  
**7/8" FLEXIBLE CORRUGATED CABLE**

**R185A.033.020**

Series : ECO 7/16



All dimensions are in mm.



COMPONENTS	MATERIALS	PLATING (µm)
BODY	BRASS	BBR
CENTER CONTACT	BRONZE	SILVER
OUTER CONTACT	-	--
INSULATOR	PTFE	
GASKET	SILICONE RUBBER	
OTHERS PARTS	BRASS	BBR
-	-	-
-	-	-

Issue : 1144 B

In the effort to improve our products, we reserve the right to make changes judged to be necessary.



**STRAIGHT PLUG EZ FIT TYPE**

**R185A.033.020**

**7/8" FLEXIBLE CORRUGATED CABLE**

Series : ECO 7/16

**PACKAGING**

Standard	Unit	Other
<b>1</b>	-	<b>Contact us</b>

**SPECIFICATION**

**ELECTRICAL CHARACTERISTICS**

Impedance	<b>50</b>	$\Omega$
Frequency	<b>0-3</b>	GHz
VSWR	<b>1.15*</b> + <b>0,0000</b>	x F(GHz) Maxi
Insertion loss	<b>0.05</b>	$\sqrt{F}$ (GHz) dB Maxi
RF leakage	- ( <b>NA</b> )	- F(GHz)) dB Maxi
Voltage rating	<b>2700</b>	Veff Maxi
Dielectric withstanding voltage	<b>4000</b>	Veff mini
Insulation resistance	<b>10000</b>	M $\Omega$ mini

**CABLE ASSEMBLY**

Stripping	a	b	c	d	e	f
mm	26,0	0,00	0,00	0,00	0,00	0,00

Assembly instruction :

Recommended

LCF 7/8» Cu2Y  
LDF5-50A-7/8»  
M 1474 Z

Characteristics indicated on this data sheet are those that can be achieved with the highest performance cable. Intrinsic limitations of the cable may diminish the performance of the assembly

Cable retention

- pull off	<b>500</b> N mini
- torque	<b>NA</b> N.cm

**MECHANICAL CHARACTERISTICS**

Center contact retention	
Axial force – Mating end	<b>200</b> N mini
Axial force – Opposite end	<b>100</b> N mini
Torque	<b>NA</b> N.cm mini

**TOOLING**

Part Number	Description	Hexagon
.	.	.

Recommended torque	
Mating	<b>3500</b> N.cm
Panel nut	<b>NA</b> N.cm
Clamp nut	<b>2500</b> N.cm
A/F clamp nut	<b>32,0000</b> mm

**OTHER CHARACTERISTICS**

Watertightness:IP67  
\*0-2.5GHz

Mating life	<b>100</b> Cycles mini
Weight	<b>158,5000</b> g

**ENVIRONMENTAL**

Operating temperature	<b>-40/+85</b> °C
Hermetic seal	<b>NA</b> Atm.cm3/s
Panel leakage	<b>NA</b>

Issue : 1144 B

In the effort to improve our products, we reserve the right to make changes judged to be necessary.



**STRAIGHT PLUG EZ FIT TYPE**

**R185A.033.020**

**7/8" FLEXIBLE CORRUGATED CABLE**

Series : ECO 7/16

**Installation Instructions**

*Instruction de câblage*

DIN 7/16, N Connectors for 7/8" Flexible Cable

*Connecteurs DIN 7/16, N pour câble flexible 7/8"*

Connector Type :

*Type de connecteur :*

Recommended Tools :

*Outils recommandés :*



- 1. DIN Male 7/8"
- 2. DIN Female 7/8"
- 3. N Male 7/8"
- 4. N Female 7/8"



wrenches 2 x 32 mm; cable knife, screw driver; brush; cutter plier

*Clé 2 x 32 mm; pince coupante, Tournevis, brosse, cutter*

Cable preparation and connector installation

*Préparation du câble et mise en place du connecteur*



1

Trim cable jacket  
*Couper la gaine*



2



3

Cut on the top of corrugation  
*Couper au sommet de l'anneau*



4

Put O-ring onto the cable  
*Mettre le joint sur le câble*



5



6

Push clamping nut fully onto the cable

Issue : 1144 B

In the effort to improve our products, we reserve the right to make changes judged to be necessary.

