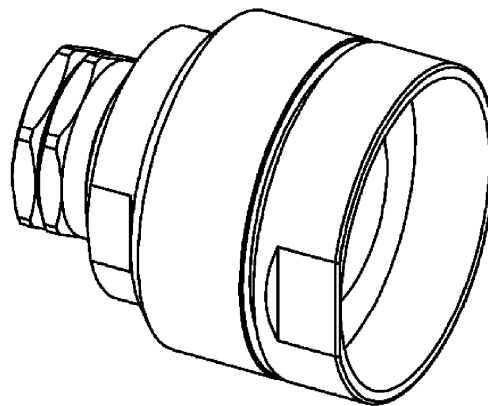
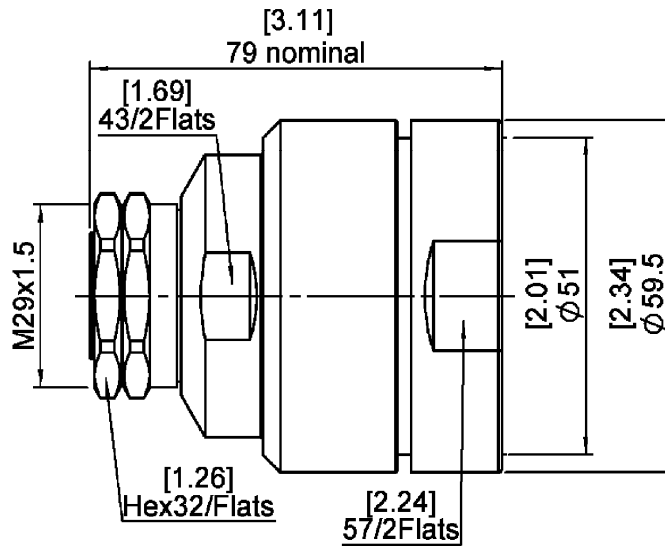


STRAIGHT PLUG EZ FIT TYPE

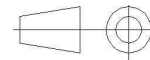
1 5/8" CORRUGATED CABLE

R185A.037.020

Series : ECO 7/16



All dimensions are in mm.



COMPONENTS	MATERIALS	PLATING (µm)
BODY	BRASS	BBR
CENTER CONTACT	BRASS	SILVER
OUTER CONTACT		
INSULATOR	PTFE	
GASKET	SILICONE RUBBER	
OTHERS PARTS	BRASS	BBR
-	-	-
-	-	-

Issue : 0926 A

In the effort to improve our products, we reserve the right to make changes judged to be necessary.



STRAIGHT PLUG EZ FIT TYPE

R185A.037.020

1 5/8" CORRUGATED CABLE

Series : **ECO 7/16**

PACKAGING

Standard	Unit	Other
1	-	Contact us

SPECIFICATION

ELECTRICAL CHARACTERISTICS

Impedance		50 Ω
Frequency		0-3 GHz
VSWR	1.1 +	0.000 x F(GHz) Maxi
Insertion loss		0.05 √F(GHz) dB Maxi
RF leakage	- (NA - F(GHz)) dB Maxi
Voltage rating		2000 Veff Maxi
Dielectric withstanding voltage		4000 Veff mini
Insulation resistance		10000 MΩ mini

CABLE ASSEMBLY

Stripping	a	b	c	d	e	f
mm	31.0	0.00	0.00	0.00	0.00	0.00

Assembly instruction :

Recommended cable(s)
LDF7-50A - 1-5/8"
LCF 1-5/8"Cu2Y

Characteristics indicated on this data sheet are those that can be achieved with the highest performance cable. Intrinsic limitations of the cable may diminish the performance of the assembly

Cable retention

- pull off	500 N mini
- torque	NA N.cm

MECHANICAL CHARACTERISTICS

Center contact retention		
Axial force – Mating end	200	N mini
Axial force – Opposite end	100	N mini
Torque	NA	N.cm mini

TOOLING

Part Number	Description	Hexagon
.	.	.

Recommended torque		
Mating	3500	N.cm
Panel nut	NA	N.cm
Clamp nut	2500	N.cm
A/F clamp nut	57.000	mm

OTHER CHARACTERISTICS

Watertightness:IP67

Mating life	100	Cycles mini
Weight	572.000	g

ENVIRONMENTAL

Operating temperature	-40/+85	° C
Hermetic seal	NA	Atm.cm3/s
Panel leakage	NA	

Issue : **0926 A**

In the effort to improve our products, we reserve the right to make changes judged to be necessary.

