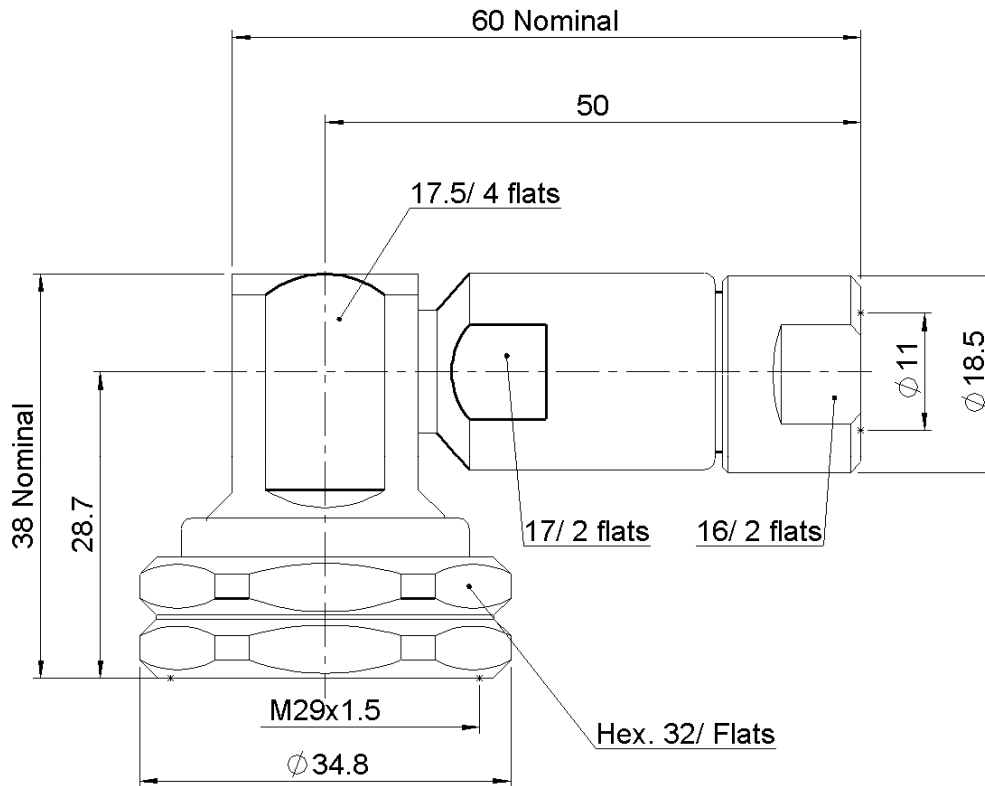
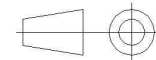


PAGE 1/3	ISSUE 1334C	SERIES ECO 7/16	PART NUMBER R185A166200
----------	-------------	-----------------	-------------------------



All dimensions are in mm.



COMPONENTS	MATERIALS	PLATING (μm)
Body	BRASS	BBR
Center contact	BRONZE	SILVER
Outer contact		
Insulator	PTFE	
Gasket	SILICONE RUBBER	
Others parts	BRASS	BBR
-	-	-
-	-	-

PAGE 2/3	ISSUE 1334C	SERIES ECO 7/16	PART NUMBER R185A166200
----------	-------------	-----------------	-------------------------

PACKAGING

Standard	Unit	Other
20	Contact us	Contact us

ELECTRICAL CHARACTERISTICS

Impedance	50	Ω
Frequency	0-3	GHz
VSWR	1.2 + 0.0000	x F(GHz) Maxi
Insertion loss	0.05	√F(GHz) dB Maxi
RF leakage	- (NA)	- F(GHz) dB Maxi
Voltage rating	900	Veff Maxi
Dielectric withstanding voltage	1500	Veff mini
Insulation resistance	5000	MΩ mini

MECHANICAL CHARACTERISTICS

Center contact retention		
Axial force – Mating End	200	N mini
Axial force – Opposite end	100	N mini
Torque	NA	N.cm mini
Recommended torque		
Mating	3000	N.cm
Panel nut	NA	N.cm
Clamp nut	950	N.cm
A/F clamp nut	16.0000	mm
Mating life	100	Cycles mini
Weight	145.9000	g

ENVIRONMENTAL

Operating temperature	-40/+85	°C
Hermetic seal	NA	Atm.cm3/s
Panel leakage	NA	

SPECIFICATION

CABLE ASSEMBLY

Stripping	a	b	c	d	e	f
mm	8	26	0	0	0	0

Assembly instruction:

Recommended cable(s)

FSJ2-50-3/8"HELIAX

Characteristics indicated on this data sheet are those that can be achieved with the highest performance cable. Intrinsic limitations of the cable may diminish the performance of the assembly

Cable retention

- pull off	250	N mini
- torque	NA	N.cm

TOOLING

Part Number	Description	Hexagon
.	.	.

OTHER CHARACTERISTICS

Watertightness:IP67