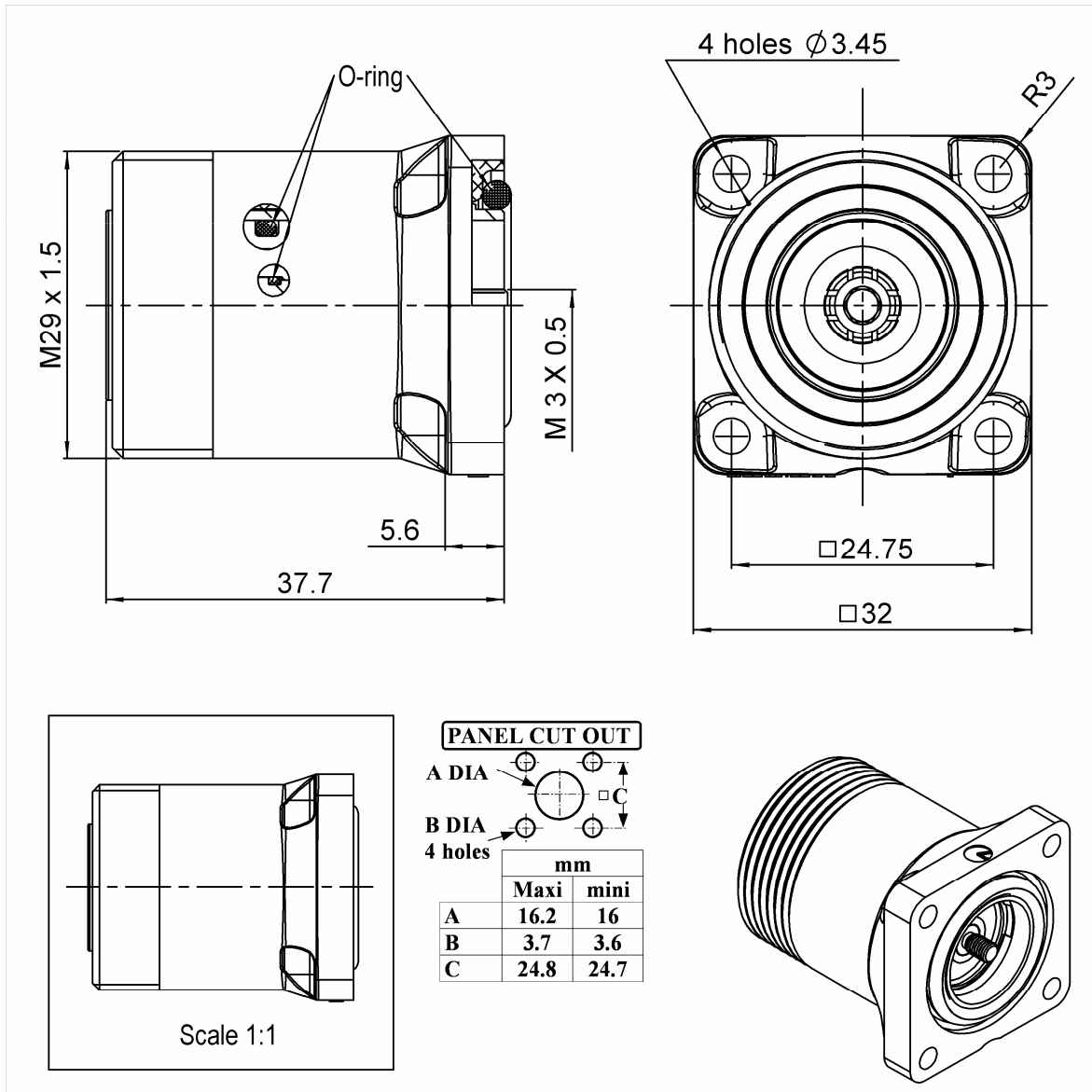


**COMPOSITE SQUARE FLANGE JACK RECEPTACLE-
PANEL SEAL**

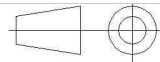
R187.416.100

Series : 7/16
COMPOSITE

WATERPROOF INTERFACE-FRONT MOUNT M3 SCREW



All dimensions are in mm.



COMPONENTS	MATERIALS	PLATING (µm)
BODY	COMPOSITE MATERIAL - BLACK	-
CENTER CONTACT	BRONZE	SILVER 5 OVER COPPER 0.5
OUTER CONTACT	BRASS	SILVER 3 OVER BBR 0.5
INSULATOR	PTFE	-
GASKET	SILICONE RUBBER	-
OTHERS PARTS	-	-
-	-	-
-	-	-

Issue : 0935 C

In the effort to improve our products, we reserve the right to make changes judged to be necessary.



**COMPOSITE SQUARE FLANGE JACK RECEPTACLE-
PANEL SEAL**

R187.416.100

WATERPROOF INTERFACE-FRONT MOUNT M3 SCREW

Series : 7/16
COMPOSITE

PACKAGING

SPECIFICATION

Standard	Unit	Other
40	'W' option	Contact us

ELECTRICAL CHARACTERISTICS

ENVIRONMENTAL

Impedance	50	Ω
Frequency	0-7.5	GHz
VSWR	*1.06 + 0.0000	x F(GHz) Maxi
Insertion loss	0.05	$\sqrt{F}(\text{GHz})$ dB Maxi
RF leakage	- (NA)	- F(GHz)) dB Maxi
Voltage rating	1400	Veff Maxi
Dielectric withstanding voltage	2700	Veff mini
Insulation resistance	10000	M Ω mini

Operating temperature	-40/+85	$^{\circ}$ C
Hermetic seal		Atm.cm3/s
Panel leakage	IP67	

OTHER CHARACTERISTICS

Assembly instruction

Others :

*VSWR : 1.06 between DC to 3GHz

*VSWR : 1.10 between 3 to 7.5GHz

PIM3:-125dBm under 2 carriers of +43dBm

MECHANICAL CHARACTERISTICS

Center contact retention		
Axial force – Mating end	200	N mini
Axial force – Opposite end	100	N mini
Torque	50	N.cm mini

Recommended torque		
Mating		N.cm
Panel nut		N.cm

Mating life	500	Cycles mini
Weight	41.6100	g

Issue : 0935 C

In the effort to improve our products, we reserve the right to make changes judged to be necessary.

