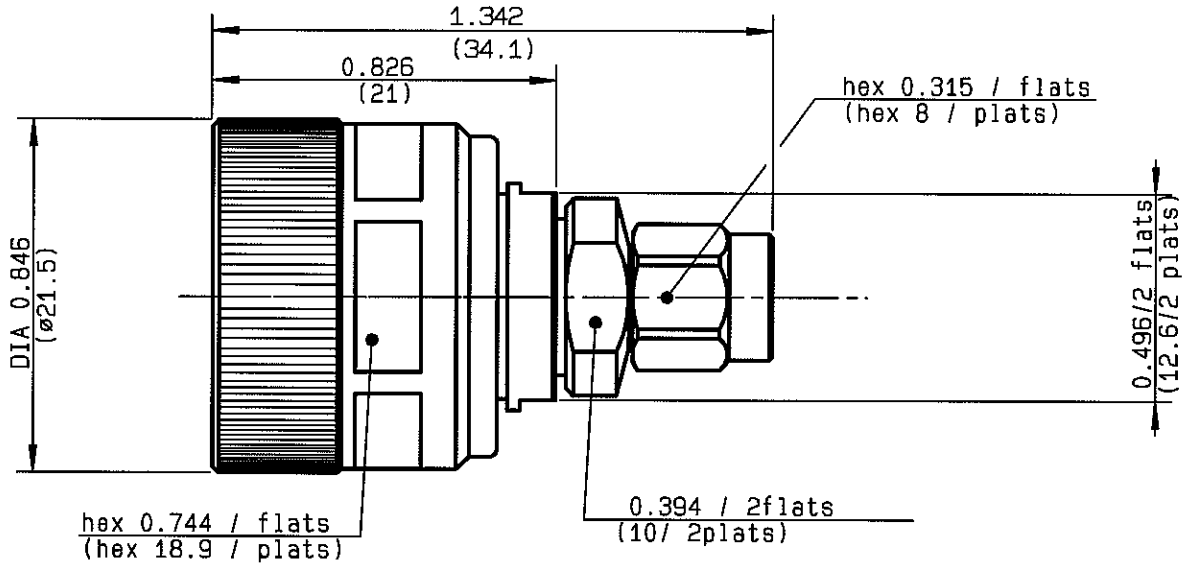


PC7 - SMA 3.5 MALE STRAIGHT ADAPTER

R191.010.000

SERIES

ADAPT



NOMINAL IMPEDANCE	50 Ω	CABLES :	
FREQUENCY RANGE	0-18 GHz		
TEMPERATURE RATING	+13/+33 °C		
V.S.W.R	1.05 + .01 x F(GHz)Maxi		
RF INSERTION LOSS	0.05 √F(GHz) dB Maxi		
VOLTAGE RATING	500 Veff Maxi		
DIELECTRIC WITHSTANDING VOLTAGE	1000 Veff Mini		
INSULATION RESISTANCE	5000 MΩMini	OTHERS CHARACTERISTICS	
HERMETIC SEAL	NA Atm.cm ³ /s	CABLE RETENTION	NA N Mini
LEAKAGE (pressurized only)	NA	CENTER CONTACT RETENTION	
MECHANICAL DURABILITY	500 Cycles	Axial force - mating end	27 N Mini
WEIGHT	40.9 gr	Axial force - opposite end	27 N Mini
SPECIFICATION		Torque	8 cm.N Mini
		RECOMMENDED TORQUES	
		Mating	100 cm.N
		Panel nut	NA cm.N
		Clamp nut	NA cm.N

CONNECTOR PARTS	MATERIALS	FINISH	(all values are given in micrometers)
BODY	STAINLESS STEEL	GOLD 1.3 OVER NICKEL 2	
OUTER CONTACT			
CENTER CONTACT	BERYLLIUM COPPER	GOLD 1.3 OVER NICKEL 2	
INSULATOR	PTFE, ULTEM	-	
GASKET		-	
OTHERS PIECES	BRASS	NICKEL 2	

ISSUE	CREATION DATE	FILE PART-NUMBER	
0243E00	24/07/1979	DM-9705-028	

RADIALL®

Connect to the future

The information given here is subject to change without notice. Design changes may be in order to improve the product.

TRIPRIER