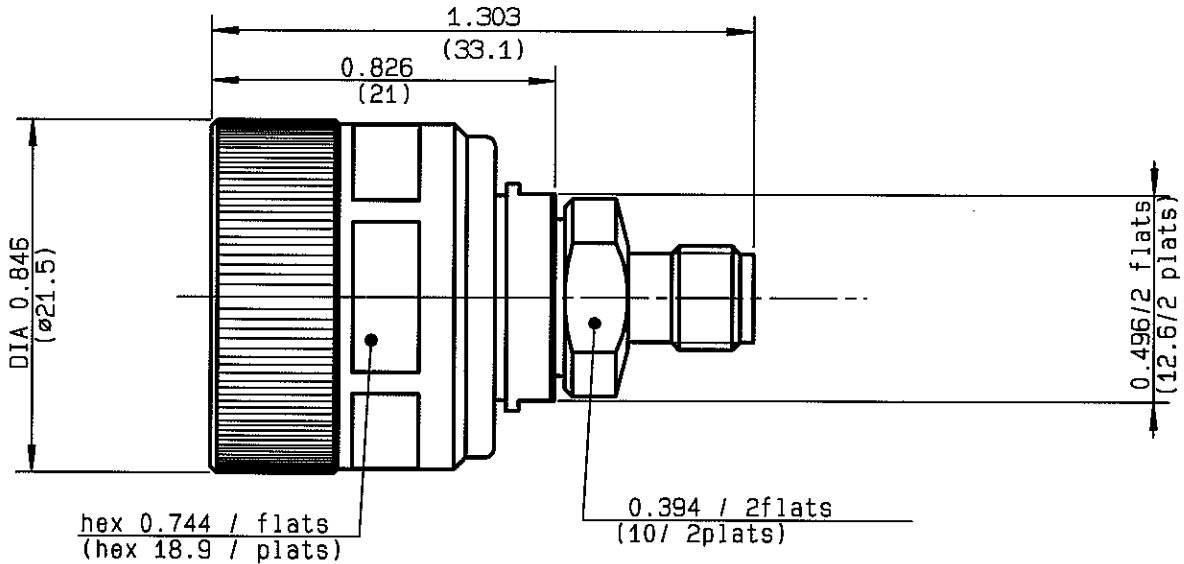


PC7 - SMA 3.5 FEMALE STRAIGHT ADAPTER

R191.012.000

SERIES

ADAPT



NOMINAL IMPEDANCE	50 Ω
FREQUENCY RANGE	0-18 GHz
TEMPERATURE RATING	+13/+33 °C
V.S.W.R	1.05 + .01 x F(GHz)Maxi
RF INSERTION LOSS	0.05 √F(GHz) dB Maxi
VOLTAGE RATING	500 Veff Maxi
DIELECTRIC WITHSTANDING VOLTAGE	1000 Veff Mini
INSULATION RESISTANCE	5000 MΩMini
HERMETIC SEAL	NA Atm.cm ³ /s
LEAKAGE (pressurized only)	NA
MECHANICAL DURABILITY	500 Cycles
WEIGHT	40 gr
SPECIFICATION	

CABLES :

OTHERS CHARACTERISTICS

CABLE RETENTION	N Mini
CENTER CONTACT RETENTION	
Axial force - mating end	27 N Mini
Axial force - opposite end	27 N Mini
Torque	8 cm.N Mini
RECOMMENDED TORQUES	
Mating	NA cm.N
Panel nut	NA cm.N
Clamp nut	NA cm.N

CONNECTOR PARTS	MATERIALS	FINISH	(all values are given in micrometers)
BODY	STAINLESS STEEL	GOLD 1.3 OVER NICKEL 2	
OUTER CONTACT			
CENTER CONTACT	BERYLLIUM COPPER	GOLD 1.3 OVER NICKEL 2	
INSULATOR	PTFE,ULTEM	-	
GASKET		-	
OTHERS PIECES	BRASS	NICKEL 2	

TRIPPIER

ISSUE
0243E00

CREATION DATE
23/07/1979

FILE PART-NUMBER
DM-9705-028



RADIALL®

The information given here is subject to change without notice. Design changes may be in order to improve the product .

Connect to the future