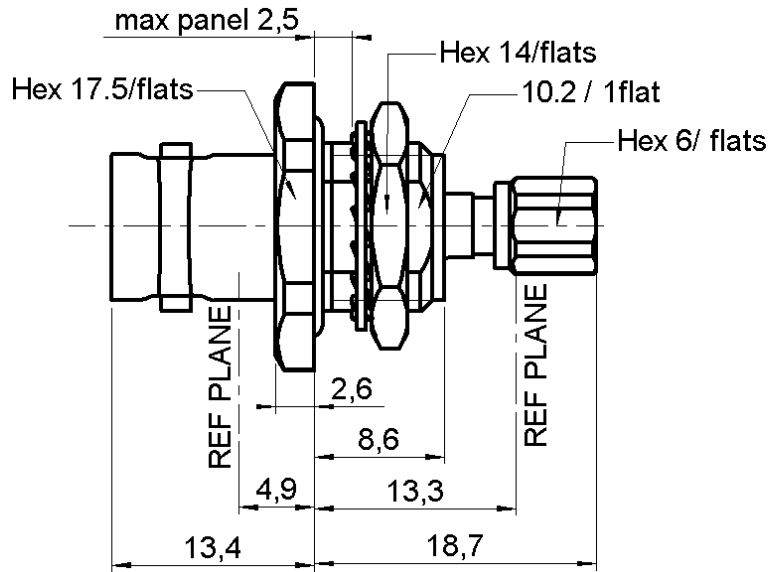


**SMC FEMALE - BNC FEMALE BULKHEAD PANEL**

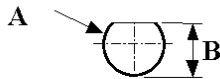
**R191.124.000**

**PANEL SEAL STRAIGHT ADAPTER**

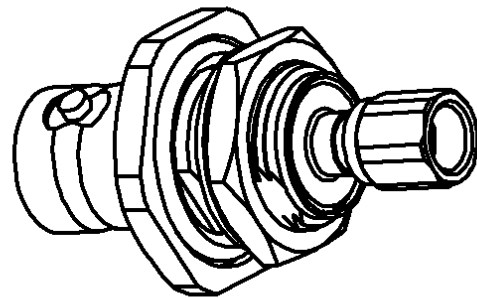
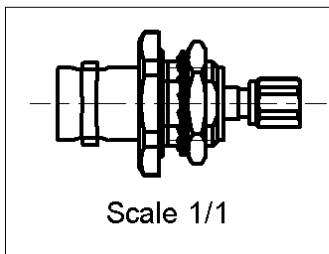
Série : ADAPT



**PANEL CUT OUT**



mm		
	Maxi	mini
A	11.2	11.1
B	10.4	10.3



All dimensions are in mm.

COMPONENTS	MATERIALS	PLATINGS (µm)
BODY	BRASS	NICKEL 2
CENTER CONTACT	BERYLLIUM COPPER	GOLD 1.3 OVER NICKEL 2
OUTER CONTACT	-	-
INSULATOR	PTFE	-
GASKET	-	-
OTHERS PARTS	BRASS	NICKEL 2
-	-	-
-	-	-

Issue : 0251 B

In the effort to improve our products, we reserve the rights to make changes judged to be necessary.



**SMC FEMALE - BNC FEMALE BULKHEAD PANEL**

**R191.124.000**

**PANEL SEAL STRAIGHT ADAPTER**

Série : ADAPT

**PACKAGING**

**SPECIFICATION**

Standard	Unit	Other
<b>1</b>	-	<b>Contact us</b>

**ELECTRICAL CHARACTERISTICS**

**ENVIRONMENTAL**

Impedance		<b>50</b> Ω
Frequency		<b>0-4</b> GHz
VSWR	<b>1.20</b> +	<b>0.000</b> x F(GHz) Maxi
Insertion loss		<b>0.250</b> √F(GHz) dB Maxi
RF leakage	- (	<b>57</b> - F(GHz)) dB Maxi
Voltage rating		<b>500</b> Veff Maxi
Dielectric withstanding voltage		<b>1000</b> Veff mini
Insulation resistance		<b>1000</b> MΩ mini

Operating	<b>-65/+125</b> °C
Hermetic seal	<b>NA</b> Atm.cm3/s
Panel leakage	<b>IP66</b>

**MECHANICAL CHARACTERISTICS**

**OTHERS CHARACTERISTICS**

Center contact retention		
Axial force – Mating end		<b>10</b> N mini
Axial force – Opposite end		<b>10</b> N mini
Torque		<b>NA</b> N.cm mini

Recommended torque		
Mating	<b>SMC</b>	<b>0</b> N.cm
	<b>BNC</b>	<b>0</b> N.cm
	-	<b>0</b> N.cm
Panel nut		<b>320</b> N.cm

Mating life		<b>500</b> Cycles mini
Weight		<b>13.000</b> g

Issue : 0251 B

In the effort to improve our products, we reserve the rights to make changes judged to be necessary.

