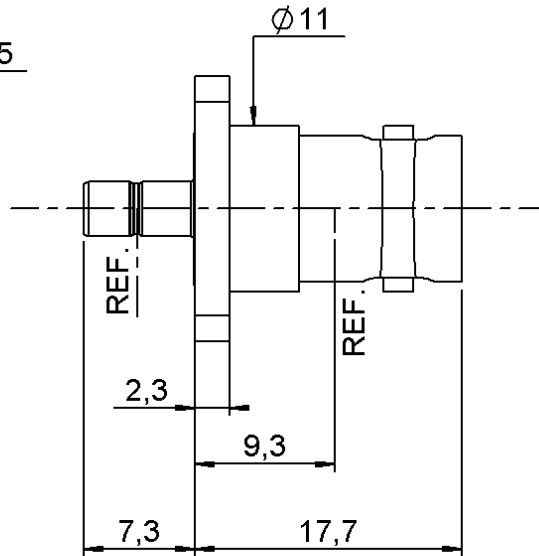
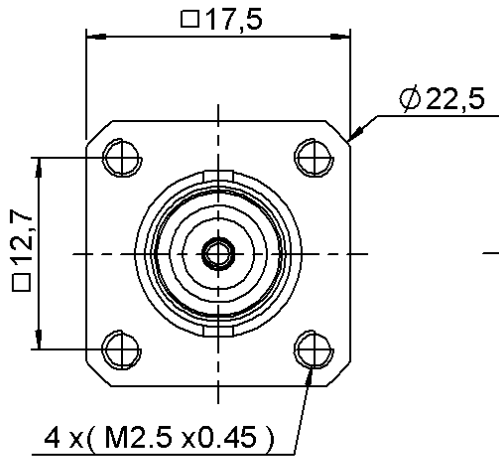


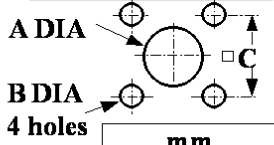
**SMB MALE - BNC FEMALE**  
**SQUARE FLANGE STRAIGHT ADAPTER**

**R191.212.000**

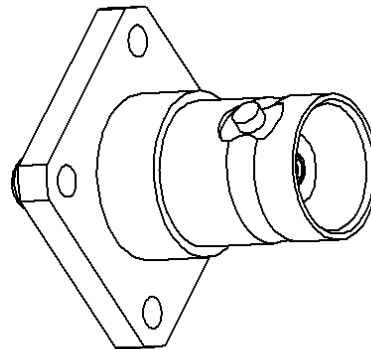
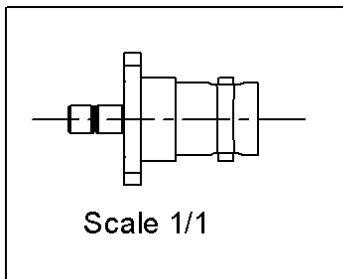
Série : ADAPT



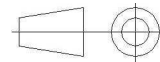
**PANEL CUT OUT**



|   | mm    |       |
|---|-------|-------|
|   | Maxi  | mini  |
| A | 11.3  | 11.2  |
| B | 2.7   | 2.6   |
| C | 12.75 | 12.65 |



All dimensions are in mm.



| COMPONENTS     | MATERIALS        | PLATINGS (µm)          |
|----------------|------------------|------------------------|
| BODY           | BRASS            | NICKEL 2               |
| CENTER CONTACT | BERYLLIUM COPPER | GOLD 1.3 OVER NICKEL 2 |
| OUTER CONTACT  | -                | -                      |
| INSULATOR      | PTFE             | -                      |
| GASKET         | -                | -                      |
| OTHERS PARTS   | BRASS            | NICKEL 2               |
| -              | -                | -                      |
| -              | -                | -                      |

Issue : 0738 X

In the effort to improve our products, we reserve the rights to make changes judged to be necessary.



**SMB MALE - BNC FEMALE**  
**SQUARE FLANGE STRAIGHT ADAPTER**

**R191.212.000**

Série : ADAPT

**PACKAGING**

| Standard | Unit | Other             |
|----------|------|-------------------|
| <b>1</b> | -    | <b>Contact us</b> |

**SPECIFICATION**

**ELECTRICAL CHARACTERISTICS**

|                                 |                     |                          |
|---------------------------------|---------------------|--------------------------|
| Impedance                       | <b>50</b>           | $\Omega$                 |
| Frequency                       | <b>0-4</b>          | GHz                      |
| VSWR                            | <b>1.2 + 0,0000</b> | x F(GHz) Maxi            |
| Insertion loss                  | <b>0.250</b>        | $\sqrt{F}$ (GHz) dB Maxi |
| RF leakage                      | - ( <b>57</b> )     | - F(GHz) dB Maxi         |
| Voltage rating                  | <b>500</b>          | Veff Maxi                |
| Dielectric withstanding voltage | <b>1000</b>         | Veff mini                |
| Insulation resistance           | <b>1000</b>         | M $\Omega$ mini          |

**ENVIRONMENTAL**

|               |                 |              |
|---------------|-----------------|--------------|
| Operating     | <b>-55/+155</b> | $^{\circ}$ C |
| Hermetic seal | <b>NA</b>       | Atm.cm3/s    |
| Panel leakage | <b>NA</b>       |              |

**MECHANICAL CHARACTERISTICS**

|                            |           |           |
|----------------------------|-----------|-----------|
| Center contact retention   |           |           |
| Axial force – Mating end   | <b>10</b> | N mini    |
| Axial force – Opposite end | <b>10</b> | N mini    |
| Torque                     | <b>NA</b> | N.cm mini |

Recommended torque

|           |            |           |      |
|-----------|------------|-----------|------|
| Mating    | <b>SMB</b> | <b>0</b>  | N.cm |
|           | <b>BNC</b> | <b>0</b>  | N.cm |
|           | -          | <b>0</b>  | N.cm |
| Panel nut |            | <b>NA</b> | N.cm |

|             |               |             |
|-------------|---------------|-------------|
| Mating life | <b>500</b>    | Cycles mini |
| Weight      | <b>2,9900</b> | g           |

**OTHERS CHARACTERISTICS**

Issue : 0738 X

In the effort to improve our products, we reserve the rights to make changes judged to be necessary.

