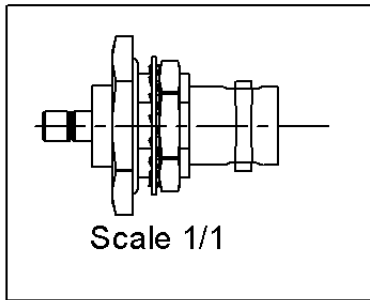
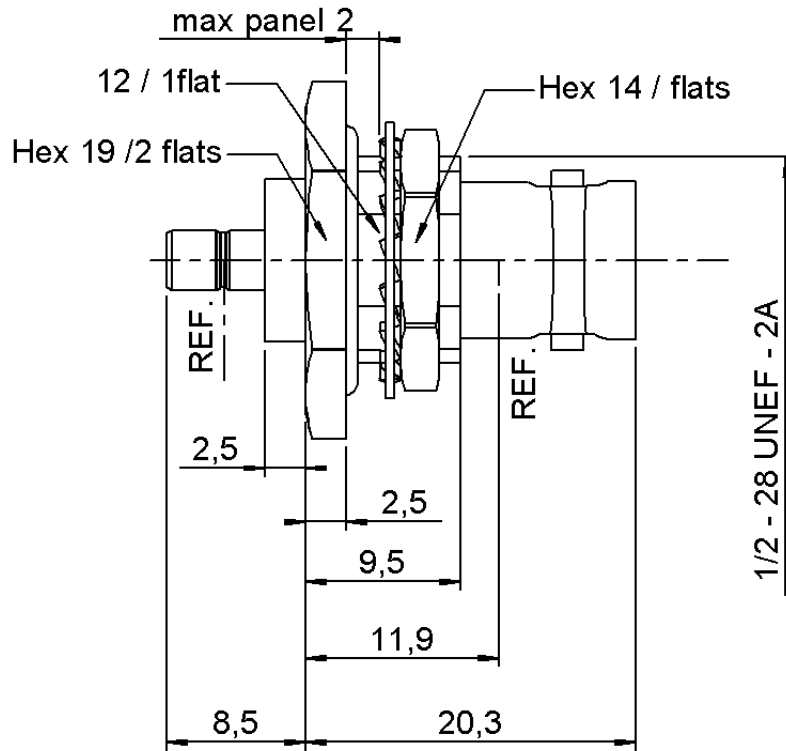


**SMB MALE - BNC FEMALE BULKHEAD PANEL  
AND INTERNAL SEAL STRAIGHT ADAPTER**

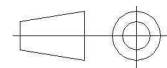
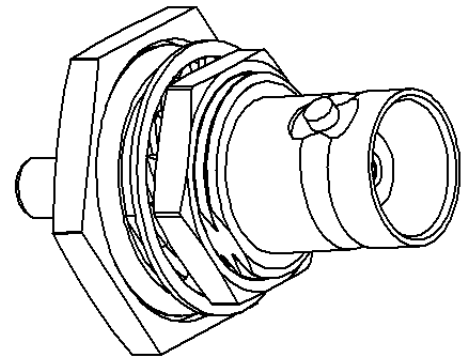
**R191.213.000**

Série : ADAPT



**PANEL CUT OUT**

| mm |      |      |
|----|------|------|
|    | Maxi | mini |
| A  | 12.6 | 12.7 |
| B  | 12.1 | 12.2 |



All dimensions are in mm.

| COMPONENTS     | MATERIALS        | PLATINGS (µm)          |
|----------------|------------------|------------------------|
| BODY           | BRASS            | NICKEL 2               |
| CENTER CONTACT | BERYLLIUM COPPER | GOLD 1.3 OVER NICKEL 2 |
| OUTER CONTACT  | -                | -                      |
| INSULATOR      | PTFE             | -                      |
| GASKET         | SILICONE RUBBER  | -                      |
| OTHERS PARTS   | BRASS            | NICKEL 2               |
| -              | -                | -                      |
| -              | -                | -                      |

Issue : 0824 B

In the effort to improve our products, we reserve the rights to make changes judged to be necessary.



**SMB MALE - BNC FEMALE BULKHEAD PANEL  
AND INTERNAL SEAL STRAIGHT ADAPTER**

**R191.213.000**

Série : ADAPT

**PACKAGING**

| Standard | Unit | Other             |
|----------|------|-------------------|
| <b>1</b> | -    | <b>Contact us</b> |

**SPECIFICATION**

**ELECTRICAL CHARACTERISTICS**

|                                 |                      |                          |
|---------------------------------|----------------------|--------------------------|
| Impedance                       | <b>50</b>            | $\Omega$                 |
| Frequency                       | <b>0-4</b>           | GHz                      |
| VSWR                            | <b>1.20 + 0,0000</b> | x F(GHz) Maxi            |
| Insertion loss                  | <b>0.250</b>         | $\sqrt{F}$ (GHz) dB Maxi |
| RF leakage                      | - ( <b>57</b> )      | - F(GHz)) dB Maxi        |
| Voltage rating                  | <b>500</b>           | Veff Maxi                |
| Dielectric withstanding voltage | <b>1000</b>          | Veff mini                |
| Insulation resistance           | <b>1000</b>          | M $\Omega$ mini          |

**ENVIRONMENTAL**

|               |                 |              |
|---------------|-----------------|--------------|
| Operating     | <b>-65/+155</b> | $^{\circ}$ C |
| Hermetic seal | <b>NA</b>       | Atm.cm3/s    |
| Panel leakage | <b>IP66</b>     |              |

**MECHANICAL CHARACTERISTICS**

|                            |                |               |
|----------------------------|----------------|---------------|
| Center contact retention   |                |               |
| Axial force – Mating end   | <b>10</b>      | N mini        |
| Axial force – Opposite end | <b>10</b>      | N mini        |
| Torque                     | <b>NA</b>      | N.cm mini     |
| Recommended torque         |                |               |
| Mating                     | <b>SMB</b>     | <b>0</b> N.cm |
|                            | <b>BNC</b>     | <b>0</b> N.cm |
|                            | -              | <b>0</b> N.cm |
| Panel nut                  | <b>320</b>     | N.cm          |
| Mating life                | <b>500</b>     | Cycles mini   |
| Weight                     | <b>16,1300</b> | g             |

**OTHERS CHARACTERISTICS**

Issue : 0824 B

In the effort to improve our products, we reserve the rights to make changes judged to be necessary.



**RADIALL**®