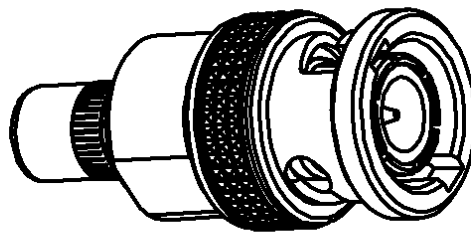
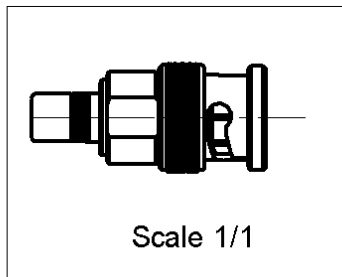
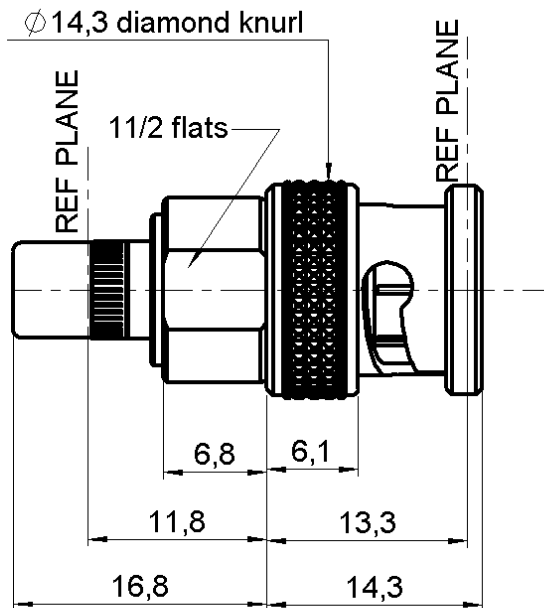


SMB FEMALE - BNC MALE STRAIGHT ADAPTER

R191.214.000

Série : ADAPT



All dimensions are in mm.

| COMPONENTS | MATERIALS | PLATINGS (µm) |
|-----------------------|-------------------------|-------------------------------|
| BODY | BRASS | NICKEL 2 |
| CENTER CONTACT | BERYLLIUM COPPER | GOLD 1.3 OVER NICKEL 2 |
| OUTER CONTACT | BERYLLIUM COPPER | GOLD 0.5 OVER NICKEL 2 |
| INSULATOR | PTFE | |
| GASKET | SILICONE RUBBER | |
| OTHERS PARTS | BRASS | NICKEL 2 |
| - | - | - |
| - | - | - |

Issue : 0304 A

In the effort to improve our products, we reserve the rights to make changes judged to be necessary.



SMB FEMALE - BNC MALE STRAIGHT ADAPTER

R191.214.000

Série : ADAPT

PACKAGING

SPECIFICATION

| Standard | Unit | Other |
|----------|------|-------------------|
| 1 | - | Contact us |

ELECTRICAL CHARACTERISTICS

ENVIRONMENTAL

| | | |
|---------------------------------|---------------|------------------------------|
| Impedance | | 50 Ω |
| Frequency | | 0-4 GHz |
| VSWR | 1.20 + | 0.000 x F(GHz) Maxi |
| Insertion loss | | 0.250 √F(GHz) dB Maxi |
| RF leakage | - (| 57 - F(GHz)) dB Maxi |
| Voltage rating | | 500 Veff Maxi |
| Dielectric withstanding voltage | | 1000 Veff mini |
| Insulation resistance | | 1000 MΩ mini |

| | |
|---------------|---------------------|
| Operating | -55/+155 °C |
| Hermetic seal | NA Atm.cm3/s |
| Panel leakage | NA |

MECHANICAL CHARACTERISTICS

OTHERS CHARACTERISTICS

| | | |
|----------------------------|------------|------------------------|
| Center contact retention | | |
| Axial force – Mating end | | 10 N mini |
| Axial force – Opposite end | | 10 N mini |
| Torque | | NA N.cm mini |
| Recommended torque | | |
| Mating | SMB | 0 N.cm |
| | BNC | 0 N.cm |
| | - | 0 N.cm |
| Panel nut | | NA N.cm |
| Mating life | | 500 Cycles mini |
| Weight | | 14.248 g |

Issue : 0304 A

In the effort to improve our products, we reserve the rights to make changes judged to be necessary.

