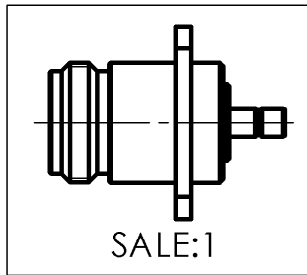
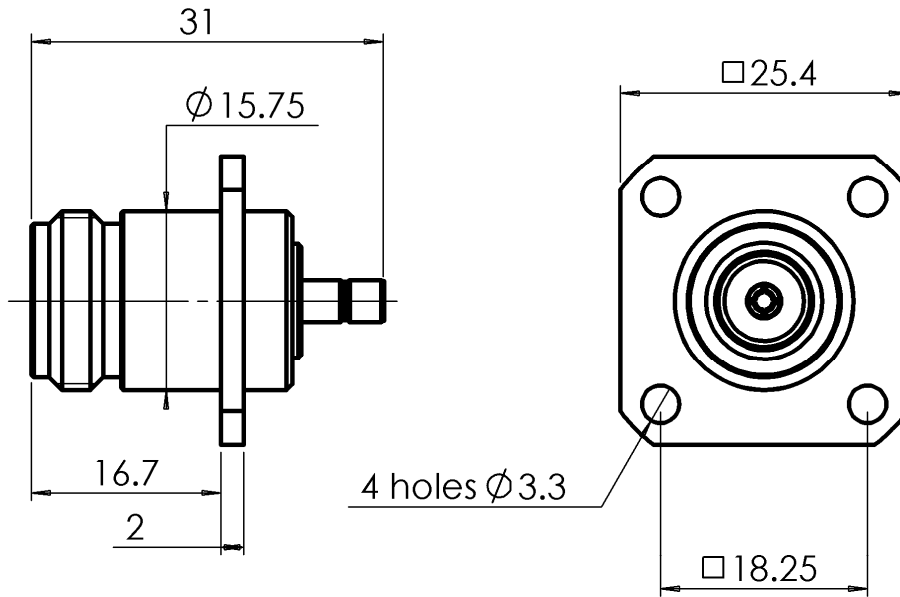


**SMB MALE SQUARE FLANGE**  
**- N FEMALE SQUARE FLANGE ADAPTER**

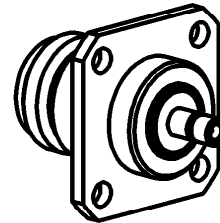
**R191.236.000**

Série : ADAPT

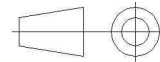


**PANEL CUT OUT**

	mm	
	Maxi	mini
A	16.3	16.1
B	3.3	3.2
C	18.35	18.15



All dimensions are in mm.



COMPONENTS	MATERIALS	PLATING ( $\mu\text{m}$ )
BODY	Brass	NICKEL 2
CENTER CONTACT	BERYLLIUM COPPER	OR 1.3 SUR NICKEL 2
OUTER CONTACT	Brass	NICKEL 2
INSULATOR	PTFE	
GASKET	-	-
OTHERS PARTS	-	-
-	-	-
-	-	-

Issue : 0925 C

In the effort to improve our products, we reserve the rights to make changes judged to be necessary.



**SMB MALE SQUARE FLANGE**  
**- N FEMALE SQUARE FLANGE ADAPTER**

**R191.236.000**

Série : ADAPT

**PACKAGING**

Standard	Unit	Other
<b>1</b>		<b>Contact us</b>

**SPECIFICATION**

**ELECTRICAL CHARACTERISTICS**

Impedance		<b>50</b> Ω
Frequency		<b>0-4</b> GHz
VSWR	<b>1.15</b> +	<b>0,0000</b> x F(GHz) Maxi
Insertion loss		<b>0.15</b> √F(GHz) dB Maxi
RF leakage	- (	- F(GHz)) dB Maxi
Voltage rating		<b>300</b> Veff Maxi
Dielectric withstanding voltage		<b>1000</b> Veff mini
Insulation resistance		<b>1000</b> MΩ mini

**ENVIRONMENTAL**

Operating	<b>-55/+155</b> °C
Hermetic seal	<b>NA</b> Atm.cm3/s
Panel leakage	<b>NA</b>

**MECHANICAL CHARACTERISTICS**

Center contact retention		
Axial force – Mating end		<b>27</b> N mini
Axial force – Opposite end		<b>27</b> N mini
Torque		<b>NA</b> N.cm mini

Recommended torque

Mating	<b>N</b>	<b>0</b> N.cm
	<b>SMB</b>	<b>0</b> N.cm
	<b>-</b>	<b>0</b> N.cm
Panel nut		<b>NA</b> N.cm

Mating life		<b>500</b> Cycles mini
Weight		<b>27,0000</b> g

**OTHER CHARACTERISTICS**

USABLE UNTIL 6GHz  
 1.45 VSWR @ 6 Ghz  
 0.15 I.L @ 6 Ghz

Issue : 0925 C

In the effort to improve our products, we reserve the rights to make changes judged to be necessary.

