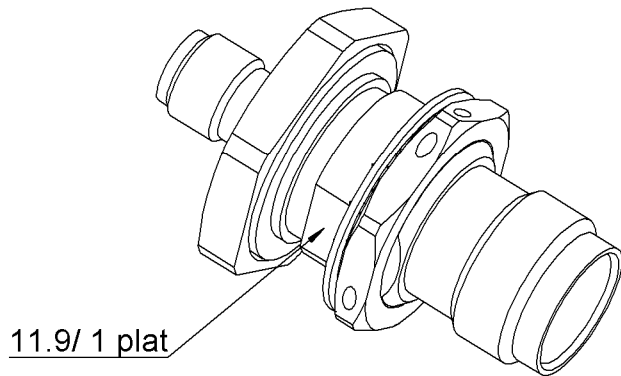
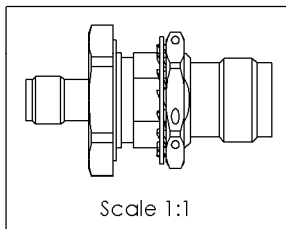
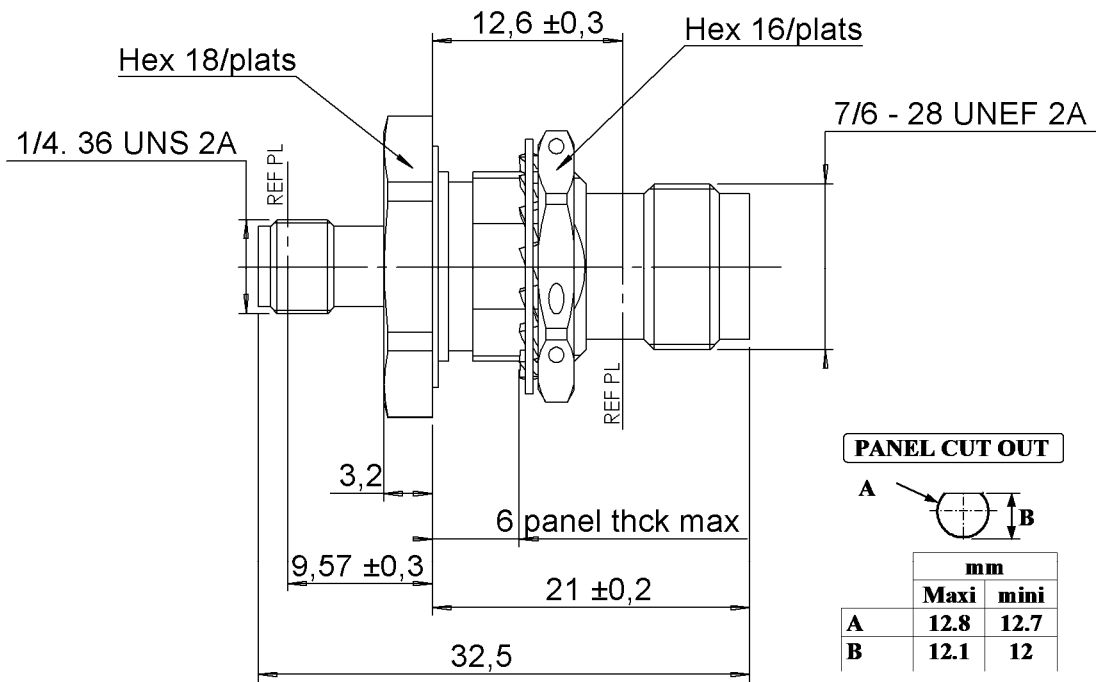
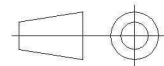


| | | | |
|----------|-------------|--------------|------------------------|
| PAGE 1/2 | ISSUE 1448C | SERIES ADAPT | PART NUMBER R191314700 |
|----------|-------------|--------------|------------------------|



All dimensions are in mm.



| COMPONENTS | MATERIALS | PLATING (µm) |
|----------------|-------------------------------------|-------------------------------|
| Body | STAINLESS STEEL | PASSIVATED |
| Center contact | BERYLLIUM COPPER | GOLD 2.5 OVER NICKEL 2 |
| Outer contact | - | - |
| Insulator | PTFE | |
| Gasket | BLACK FLUOROCARBON + NITRILE | |
| Others parts | STAINLESS STEEL | PASSIVATED |
| - | - | - |
| - | - | - |

| | | | |
|-----------------|--------------------|---------------------|-------------------------------|
| PAGE 2/2 | ISSUE 1448C | SERIES ADAPT | PART NUMBER R191314700 |
|-----------------|--------------------|---------------------|-------------------------------|

PACKAGING

| Standard | Unit | Other |
|----------|-------------------|-------------------|
| 1 | Contact us | Contact us |

ELECTRICAL CHARACTERISTICS

| | | | |
|---------------------------------|-------------|---------------|-----------------------------|
| Impedance | | 50 | Ω |
| Frequency | | 0-12.4 | GHz |
| VSWR | 1.25 | + | 0,0350 x F(GHz) Maxi |
| Insertion loss | | 0.35 | \sqrt{F} (GHz) dB Maxi |
| RF leakage | - (| 60 | - F(GHz)) dB Maxi |
| Voltage rating | | 500 | Veff Maxi |
| Dielectric withstanding voltage | | 1000 | Veff mini |
| Insulation resistance | | 5000 | M Ω mini |

ENVIRONMENTAL

| | | |
|---------------|-----------------|--------------------|
| Operating | -65/+125 | $^{\circ}\text{C}$ |
| Hermetic seal | NA | Atm.cm3/s |
| Panel leakage | | |

MECHANICAL CHARACTERISTICS

| | | | |
|----------------------------|--|-----------|-----------|
| Center contact retention | | | |
| Axial force – Mating End | | 27 | N mini |
| Axial force – Opposite end | | 27 | N mini |
| Torque | | NA | N.cm mini |

SPECIFICATION

OTHER CHARACTERISTICS

| | | | |
|--------------------|------------|----------------|-------------|
| Recommended torque | | | |
| Mating | SMA | 0 | N.cm |
| | TNC | 0 | N.cm |
| | - | 0 | N.cm |
| Panel nut | | 320 | N.cm |
| Mating life | | 500 | Cycles mini |
| Weight | | 12,0000 | g |

Internal and external seal: IP66