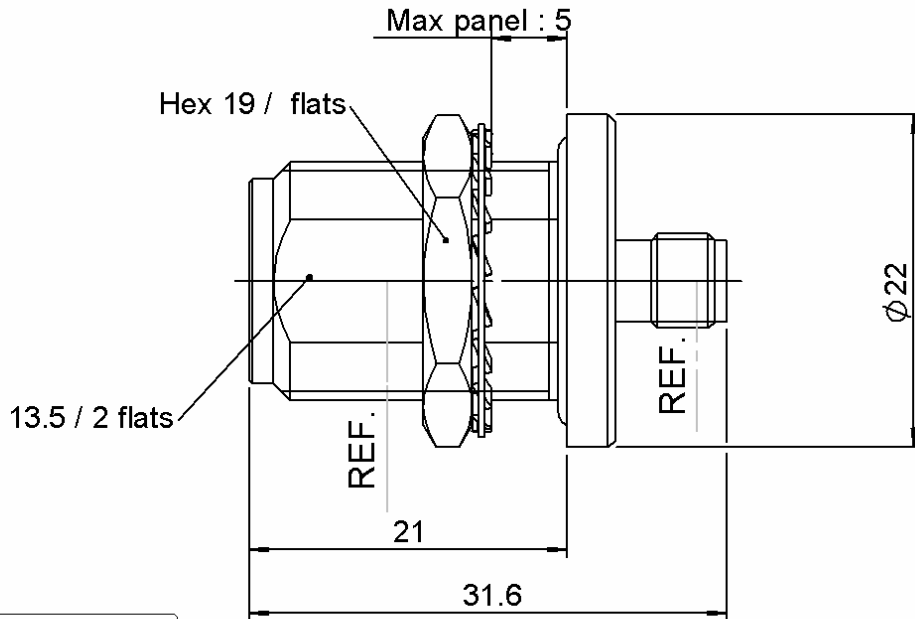


**ADAPTOR N FEMALE - SMA FEMALE**

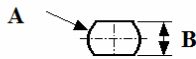
**R191.332.000**

**BULKHEAD TYPE - PANEL SEAL**

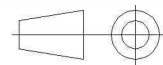
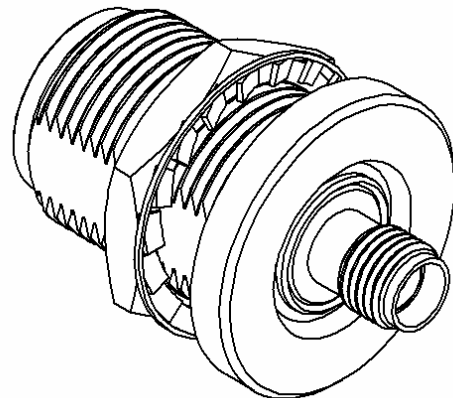
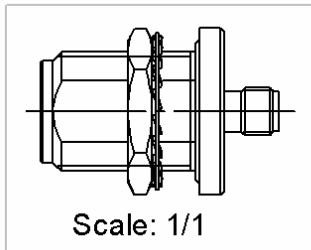
Série : ADAPT



**PANEL CUT OUT**



mm		
	Maxi	mini
A	16.1	16
B	13.7	13.6



All dimensions are in mm.

COMPONENTS	MATERIALS	PLATING (µm)
<b>BODY</b>	<b>BRASS</b>	<b>NICKEL</b>
<b>CENTER CONTACT</b>	<b>BERYLLIUM COPPER</b>	<b>GOLD</b>
<b>OUTER CONTACT</b>	-	-
<b>INSULATOR</b>	<b>PTFE</b>	
<b>GASKET</b>	<b>SILICONE RUBBER</b>	
<b>OTHERS PARTS</b>	<b>BRASS</b>	<b>NICKEL</b>
-	-	-
-	-	-

Issue : 1125 P

In the effort to improve our products, we reserve the rights to make changes judged to be necessary.



**ADAPTOR N FEMALE - SMA FEMALE**

**R191.332.000**

**BULKHEAD TYPE - PANEL SEAL**

Série : ADAPT

**PACKAGING**

Standard	Unit	Other
<b>1</b>		<b>Contact us</b>

**SPECIFICATION**

**QAE 06-02 - -**

**ELECTRICAL CHARACTERISTICS**

Impedance		<b>50</b> Ω
Frequency		<b>0-11</b> GHz
VSWR	<b>1.20 +</b>	<b>0,0000</b> x F(GHz) Maxi
Insertion loss		<b>TBD</b> √F(GHz) dB Maxi
RF leakage	- (	<b>101</b> - F(GHz)) dB Maxi
Voltage rating		<b>500</b> Veff Maxi
Dielectric withstanding voltage		<b>1000</b> Veff mini
Insulation resistance		<b>5000</b> MΩ mini

**ENVIRONMENTAL**

Operating	<b>-55/+155</b> °C
Hermetic seal	<b>NA</b> Atm.cm3/s
Panel leakage	<b>NA</b>

**MECHANICAL CHARACTERISTICS**

Center contact retention		
Axial force – Mating end		<b>27</b> N mini
Axial force – Opposite end		<b>27</b> N mini
Torque		<b>NA</b> N.cm mini
Recommended torque		
Mating	<b>N</b>	<b>0</b> N.cm
	<b>SMA</b>	<b>0</b> N.cm
	<b>-</b>	<b>0</b> N.cm
Panel nut		<b>500</b> N.cm
Mating life		<b>500</b> Cycles mini
Weight		<b>40,0000</b> g

**OTHER CHARACTERISTICS**

Issue : 1125 P

In the effort to improve our products, we reserve the rights to make changes judged to be necessary.

