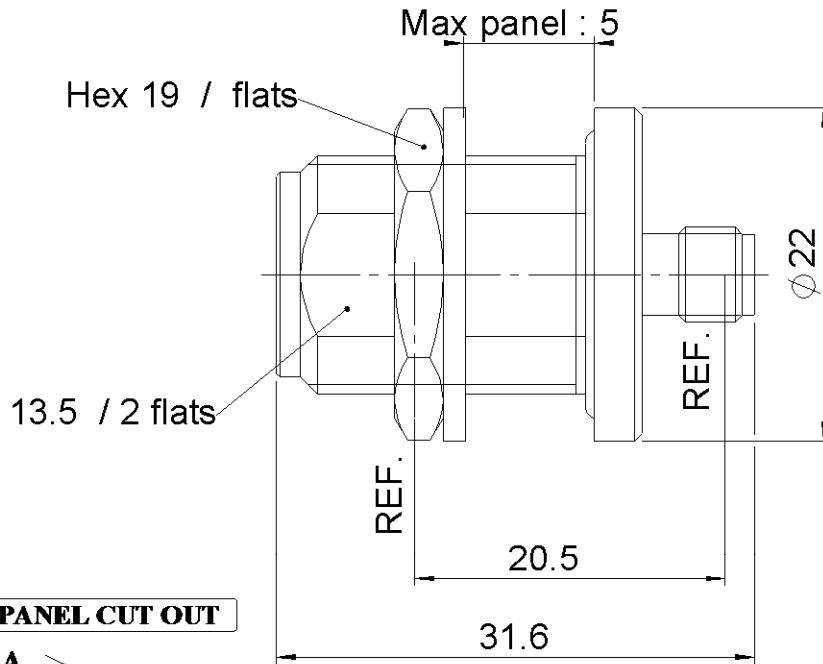
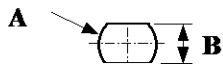


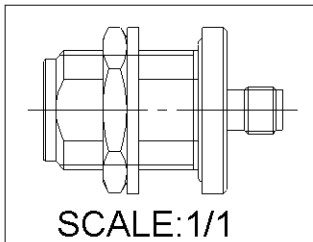
PAGE 1/2	ISSUE 06-12-16K	SERIES ADAPT	PART NUMBER R191334000
----------	-----------------	--------------	------------------------



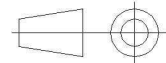
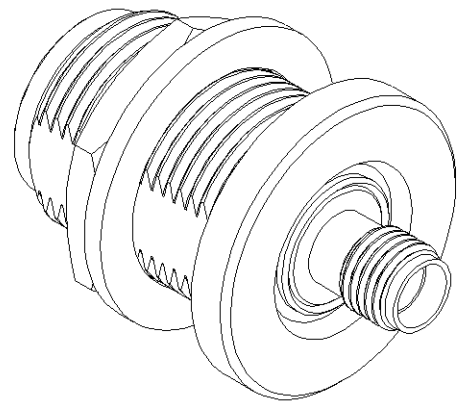
PANEL CUT OUT



mm		
	Maxi	mini
A	16.1	16
B	13.7	13.6



All dimensions are in mm.



COMPONENTS	MATERIALS	PLATING (µm)
Body	.BRASS	SHINY NICKEL
Center contact	BERYLLIUM COPPER	OR SUR SOUS COUCHE NICKEL
Outer contact	--	--
Insulator	PTFE	
Gasket	SILICONE RUBBER	
Others parts	BERYLLIUM COPPER	SHINY NICKEL
-	-	-
-	-	-

PAGE 2/2	ISSUE 06-12-16K	SERIES ADAPT	PART NUMBER R191334000
-----------------	------------------------	---------------------	-------------------------------

PACKAGING

Standard	Unit	Other
1	-	Contact us

ELECTRICAL CHARACTERISTICS

Impedance		50	Ω
Frequency		0-11	GHz
VSWR	1.30	+	0,0000 x F(GHz) Maxi
Insertion loss		0.125	√F(GHz) dB Maxi
RF leakage	- (101	- F(GHz) dB Maxi
Voltage rating		500	Veff Maxi
Dielectric withstanding voltage		1000	Veff mini
Insulation resistance		5000	MΩ mini

MECHANICAL CHARACTERISTICS

Center contact retention			
Axial force – Mating End		*18	N mini
Axial force – Opposite end		*18	N mini
Torque		NA	N.cm mini
Recommended torque			
Mating	N	0	N.cm
	SMA	0	N.cm
	-	0	N.cm
Panel nut		500	N.cm
Mating life		500	Cycles mini
Weight		34,3200	g

ENVIRONMENTAL

Operating	-55/+155	°C
Hermetic seal	NA	Atm.cm3/s
Panel leakage	IP67	

SPECIFICATION

OTHER CHARACTERISTICS

* out of SMA CDC.