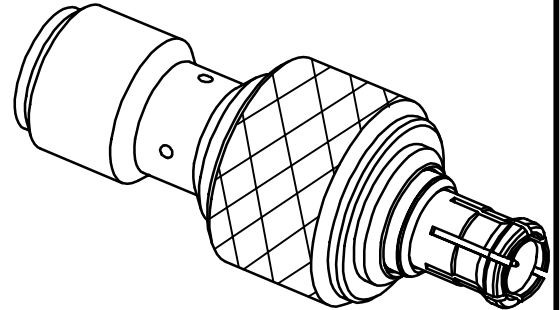
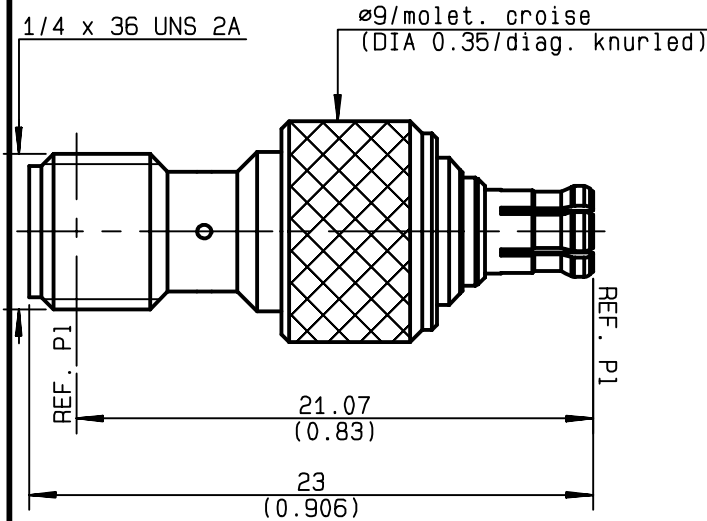


**SMA FEMALE BULKHEAD - MCX MALE
STRAIGHT ADAPTER**

R191.387.000
SERIES ADAPT



NOMINAL IMPEDANCE	50 Ω
FREQUENCY RANGE	0-6 GHz
TEMPERATURE RATING	-55/+155 °C
V.S.W.R	1.20* + 0 x F(GHz)Maxi
RF INSERTION LOSS	0.25 √F(GHz) dB Maxi
VOLTAGE RATING	500 Veff Maxi
DIELECTRIC WITHSTANDING VOLTAGE	1000 Veff Mini
INSULATION RESISTANCE	1000 MΩMini
HERMETIC SEAL	NA Atm.cm ³ /s
LEAKAGE (pressurized only)	NA
MECHANICAL DURABILITY	500 Cycles
WEIGHT	4 gr
SPECIFICATION	

CABLES :	
OTHERS CHARACTERISTICS	* 1.10 at 3GHz - 1.20 at 6GHz
CABLE RETENTION	10 N Mini
CENTER CONTACT RETENTION	
Axial force - mating end	10 N Mini
Axial force - opposite end	10 N Mini
Torque	NA cm.N Mini
RECOMMENDED TORQUES	
Mating	NA cm.N
Panel nut	NA cm.N
Clamp nut	NA cm.N

CONNECTOR PARTS	MATERIALS	FINISH
BODY	STAINLESS STEEL	GOLD 0.5 OVER NICKEL 2
OUTER CONTACT	BERYLLIUM COPPER	GOLD 0.5 OVER NICKEL 2
CENTER CONTACT	BERYLLIUM COPPER	GOLD 1.3 OVER NICKEL 2
INSULATOR	PTFE	-
GASKET		-
OTHERS PIECES		

(all values are given)
in micrometers

ISSUE	CREATION DATE	FILE PART-NUMBER
0204A00	17/06/1998	96-1200-111



Connect to the future

The information given here is subject to change without notice.
Design changes may be in order to improve the product .

LELEU