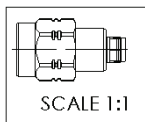
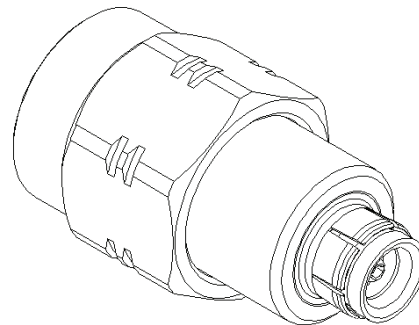
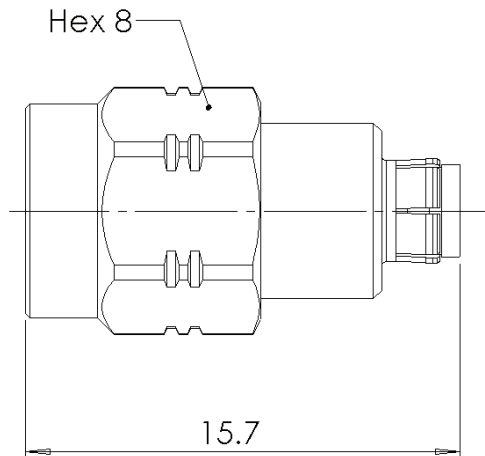
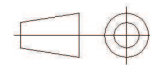


PAGE 1/2	ISSUE 1329A	SERIES ADAPT	PART NUMBER <b>R191389100</b>
----------	-------------	--------------	-------------------------------



All dimensions are in mm.



COMPONENTS	MATERIALS	PLATING (µm)
Body	<b>BRASS</b>	<b>NPGR</b>
Center contact	<b>BERYLLIUM COPPER</b>	<b>GOLD OVER NICKEL</b>
Outer contact	<b>BERYLLIUM COPPER</b>	<b>NPGR</b>
Insulator	<b>PTFE</b>	
Gasket	<b>SILICONE RUBBER</b>	
Others parts	<b>BRASS</b>	<b>GOLD OVER NICKEL</b>
-	-	-
-	-	-

PAGE 2/2	ISSUE 1329A	SERIES ADAPT	PART NUMBER <b>R191389100</b>
----------	-------------	--------------	-------------------------------

### PACKAGING

Standard	Unit	Other
	<b>Contact us</b>	<b>Contact us</b>

### ELECTRICAL CHARACTERISTICS

Impedance		<b>50</b>	Ω
Frequency		<b>0-12.4</b>	GHz
VSWR	<b>1.083*</b>	<b>+</b>	<b>0.0100</b>
			x F(GHz) Maxi
Insertion loss		<b>0.12</b>	√F(GHz) dB Maxi
RF leakage	<b>- (</b>	<b>100**</b>	- F(GHz)) dB Maxi
Voltage rating		<b>330</b>	Veff Maxi
Dielectric withstanding voltage		<b>500</b>	Veff mini
Insulation resistance		<b>1000</b>	MΩ mini

### ENVIRONMENTAL

Operating	<b>-55/+155°</b>	°C
Hermetic seal	<b>NA</b>	Atm.cm3/s
Panel leakage	<b>NA</b>	

### MECHANICAL CHARACTERISTICS

Center contact retention			
Axial force – Mating End		<b>10</b>	N mini
Axial force – Opposite end		<b>10</b>	N mini
Torque		<b>NA</b>	N.cm mini

### SPECIFICATION

Recommended torque			
Mating	<b>SMA-COM</b>	<b>100</b>	N.cm
	<b>MMBX</b>	<b>0</b>	N.cm
		<b>0</b>	N.cm
Panel nut		<b>NA</b>	N.cm

### OTHER CHARACTERISTICS

**\*to 6 GHz**  
**\*\*Interface MMBX only up to 2.5GHz**

Mating life	<b>500</b>	Cycles mini
Weight	<b>3.1570</b>	g