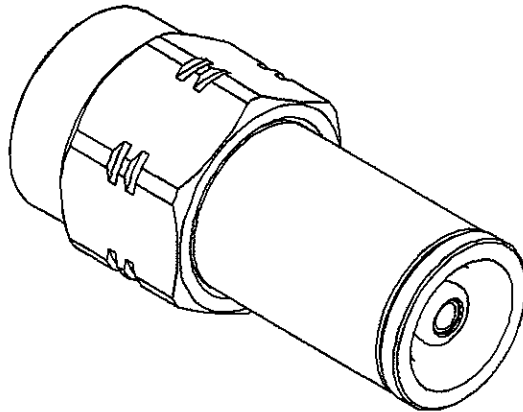
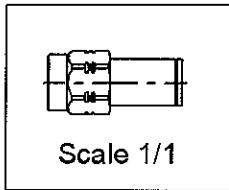
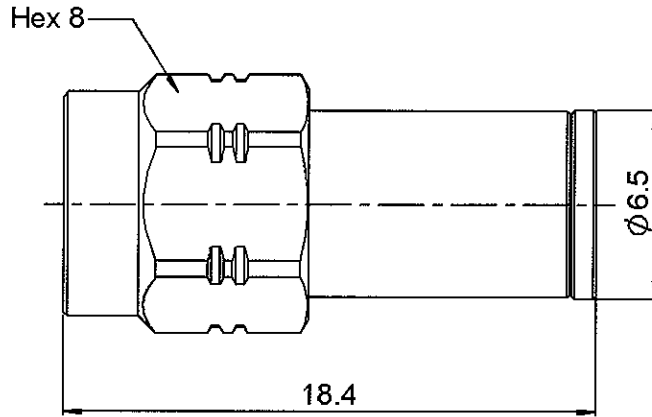


**SMA MALE - MMBX FEMALE STRAIGHT ADAPTER**

**R191.389.300**

Serie : ADAPT



All dimensions are in mm.



COMPONENTS	MATERIALS	PLATING (µm)
BODY	BRASS	GOLD 0.2 OVER NICKEL 2
CENTER CONTACT	BERYLLIUM COPPER	GOLD 1:3 OVER NICKEL 2
OUTER CONTACT	BRASS	NPCR
INSULATOR	LIQUID CRISTAL POLYMER ,PTFE	
GASKET	SILICONE RUBBER	
OTHERS PARTS	BRASS	GOLD 0.2 OVER NICKEL 2
-	-	
-	-	

Issue : 0706 A

In the effort to improve our products, we reserve the rights to make changes judged to be necessary.



**SMA MALE - MMBX FEMALE STRAIGHT ADAPTER**

**R191.389.300**

Serie : ADAPT

**PACKAGING**

**SPECIFICATION**

Standard	Unit	Other
1		Contact us

**ELECTRICAL CHARACTERISTICS**

**ENVIRONMENTAL**

Impedance		<b>50</b> Ω
Frequency		<b>0-12.4</b> GHz
VSWR	<b>1.083*</b> + <b>0.0000</b>	x F(GHz) Maxi
Insertion loss		<b>0.12</b> √F(GHz) dB Maxi
RF leakage	- ( <b>100**</b> - F(GHz))	dB Maxi
Voltage rating		<b>330</b> Veff Maxi
Dielectric withstanding voltage		<b>500</b> Veff mini
Insulation resistance		<b>1000</b> MΩ mini

Operating	<b>-55/+155</b> ° C
Hermetic seal	<b>NA</b> Atm.cm3/s
Panel leakage	<b>NA</b>

**OTHER CHARACTERISTICS**

**MECHANICAL CHARACTERISTICS**

\*to 6 GHz  
 \*\*Interface MMBX only up to 2.5GHz

<b>Center contact retention</b>		
Axial force – Mating end		<b>10</b> N mini
Axial force – Opposite end		<b>10</b> N mini
Torque		<b>NA</b> N.cm mini
<b>Recommended torque</b>		
Mating	<b>SMA-COM</b>	<b>NA</b> N.cm
	<b>MMBX</b>	<b>NA</b> N.cm
		N.cm
Panel nut		<b>NA</b> N.cm
Mating life		<b>500</b> Cycles mini
Weight		<b>3.6510</b> g

Issue : 0706 A

In the effort to improve our products, we reserve the rights to make changes judged to be necessary.



PRELIMINARY