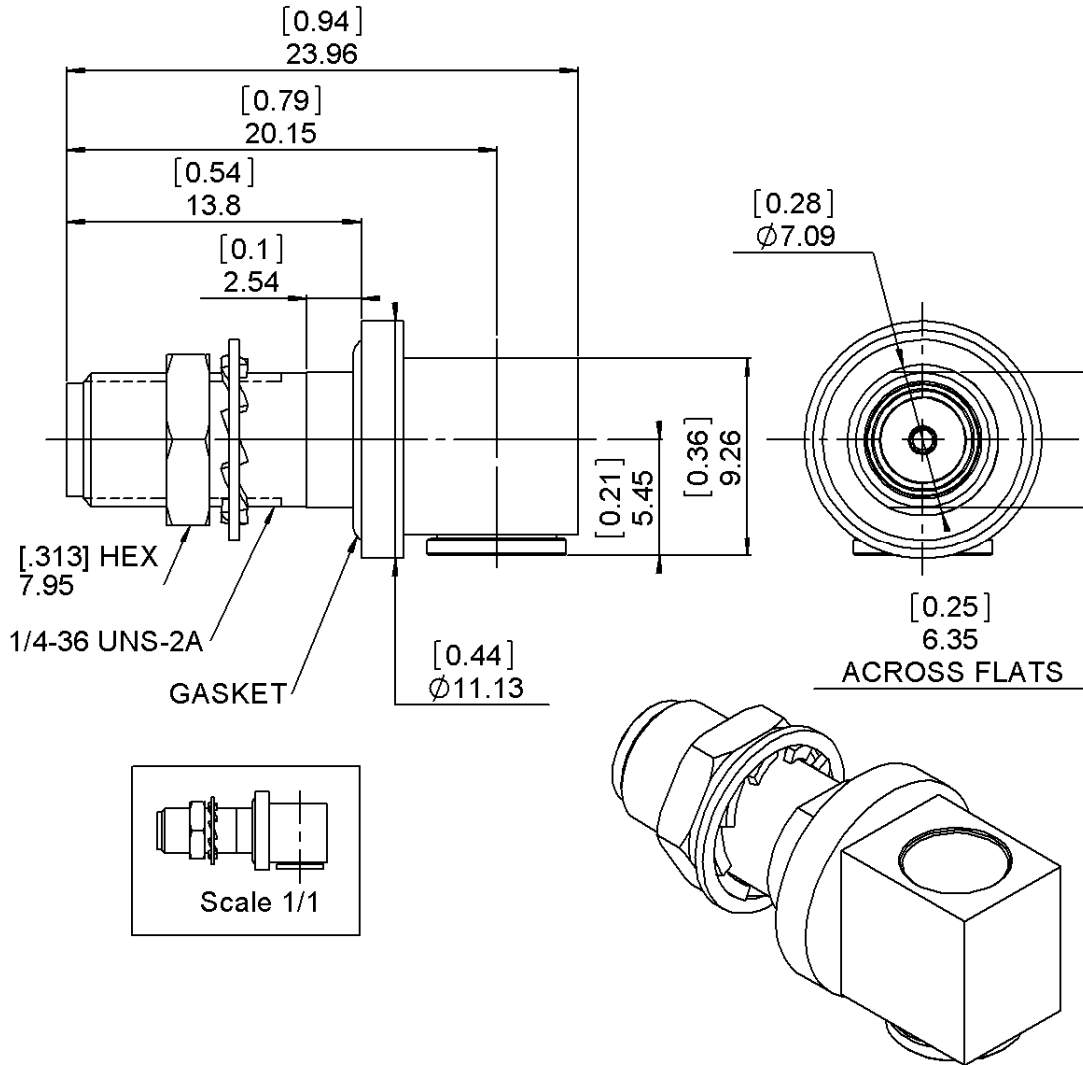


**SMA FEMALE - MMBX FEMALE**

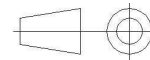
**R191.389.420**

**RIGHT ANGLE ADAPTER**

Série : ADAPT



All dimensions are in mm.



COMPONENTS	MATERIALS	PLATING (µm)
BODY	BRASS	BBR 2
CENTER CONTACT	BERYLLIUM COPPER	GOLD 1.3 OVER NICKEL 2
OUTER CONTACT	-	
INSULATOR	POLYMERE A CRISTAUX	
GASKET	LIQUIDES,PTFE	
OTHERS PARTS		
-	-	-
-	-	-

Issue : 1402 F

In the effort to improve our products, we reserve the rights to make changes judged to be necessary.



**SMA FEMALE - MMBX FEMALE  
RIGHT ANGLE ADAPTER**

**R191.389.420**

Série : ADAPT

**PACKAGING**

Standard	Unit	Other
	<b>'W' option</b>	<b>Contact us</b>

**SPECIFICATION**

**ELECTRICAL CHARACTERISTICS**

Impedance		<b>50</b> Ω
Frequency		<b>0-12.4</b> GHz
VSWR	<b>TBD</b> +	<b>0.0000</b> x F(GHz) Maxi
Insertion loss		<b>TBD</b> √F(GHz) dB Maxi
RF leakage	- (	<b>100</b> - F(GHz)) dB Maxi
Voltage rating		<b>330</b> Veff Maxi
Dielectric withstanding voltage		<b>500</b> Veff mini
Insulation resistance		<b>1000</b> MΩ mini

**ENVIRONMENTAL**

Operating		<b>-55/+155°</b> ° C
Hermetic seal		<b>NA</b> Atm.cm3/s
Panel leakage		<b>NA</b>

**OTHER CHARACTERISTICS**

to 6 GHz  
Interface MMBX only up to 2.5GHz

**MECHANICAL CHARACTERISTICS**

Center contact retention		
Axial force – Mating end		<b>10</b> N mini
Axial force – Opposite end		<b>10</b> N mini
Torque		<b>NA</b> N.cm mini
Recommended torque		
Mating		<b>0</b> N.cm
		<b>0</b> N.cm
		<b>0</b> N.cm
Panel nut		<b>NA</b> N.cm
Mating life		<b>500</b> Cycles mini
Weight		<b>6.8800</b> g

Issue : 1402 F

In the effort to improve our products, we reserve the rights to make changes judged to be necessary.

