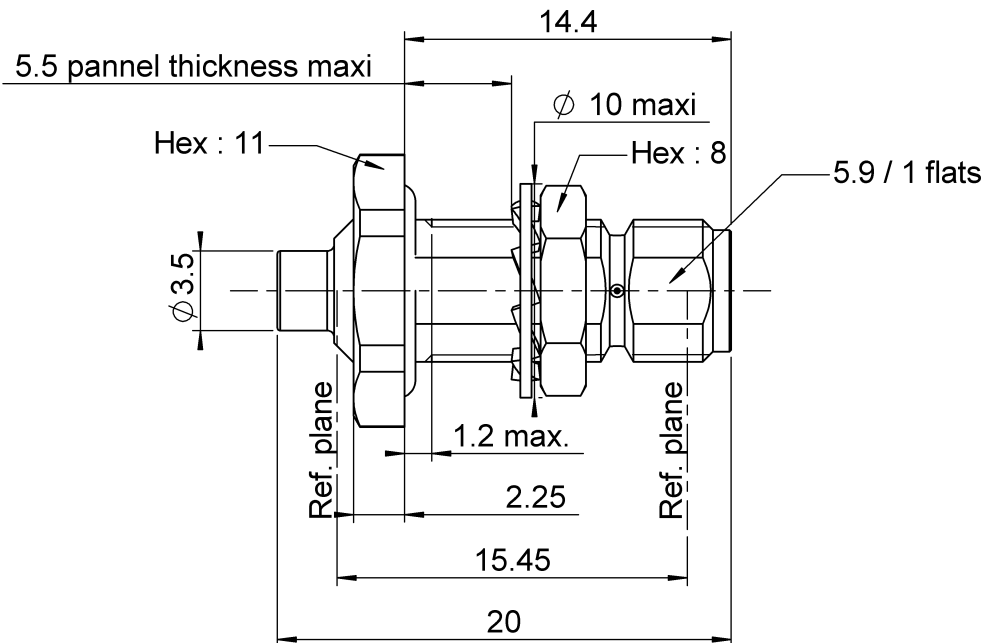
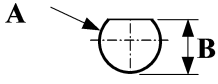


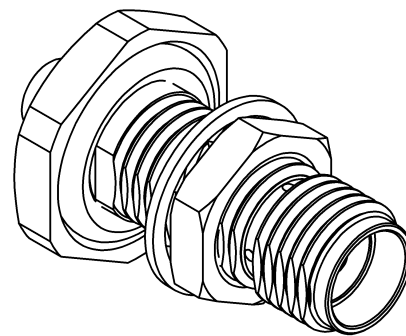
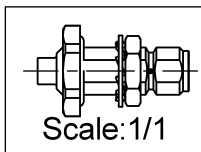
PAGE 1/2	ISSUE 02-10-17C	SERIES ADAPT	PART NUMBER R191399100
----------	-----------------	--------------	------------------------



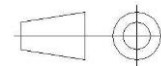
PANEL CUT OUT



mm		
	Maxi	mini
A	6.6	6.5
B	6.2	6.1



All dimensions are in mm. Tolerances according ISO 2768 m-H



COMPONENTS	MATERIALS	PLATING (µm)
Body	STAINLESS STEEL	PASSIVATED (MAT ASPECT)
Center contact	BERYLLIUM COPPER	GOLD OVER NICKEL
Outer contact		
Insulator	PTFE	
Gasket	SILICONE RUBBER	
Others parts	BRASS	BBR
-	-	-
-	-	-

PAGE 2/2	ISSUE 02-10-17C	SERIES ADAPT	PART NUMBER R191399100
-----------------	------------------------	---------------------	-------------------------------

PACKAGING

Standard	Unit	Other
1		Contact us

ELECTRICAL CHARACTERISTICS

Impedance		50	Ω
Frequency		0-6	GHz
VSWR	1.2 +	0,0000	x F(GHz) Maxi
Insertion loss		NA	\sqrt{F} (GHz) dB Maxi
RF leakage	- (NA	- F(GHz) dB Maxi
Voltage rating		250	Veff Maxi
Dielectric withstanding voltage		500	Veff mini
Insulation resistance		500	M Ω mini

ENVIRONMENTAL

Operating	-55/+155	$^{\circ}\text{C}$
Hermetic seal	NA	Atm.cm3/s
Panel leakage	*IP68	

MECHANICAL CHARACTERISTICS

Center contact retention			
Axial force – Mating End		10	N mini
Axial force – Opposite end		10	N mini
Torque		NA	N.cm mini

SPECIFICATION

OTHER CHARACTERISTICS

Recommended torque			
Mating	SMA	0	N.cm
	MMCX	0	N.cm
		0	N.cm
Panel nut		150	N.cm
Mating life		500	Cycles mini
Weight		3,8900	g

***Waterproof passing
(2h under 1m of water)**