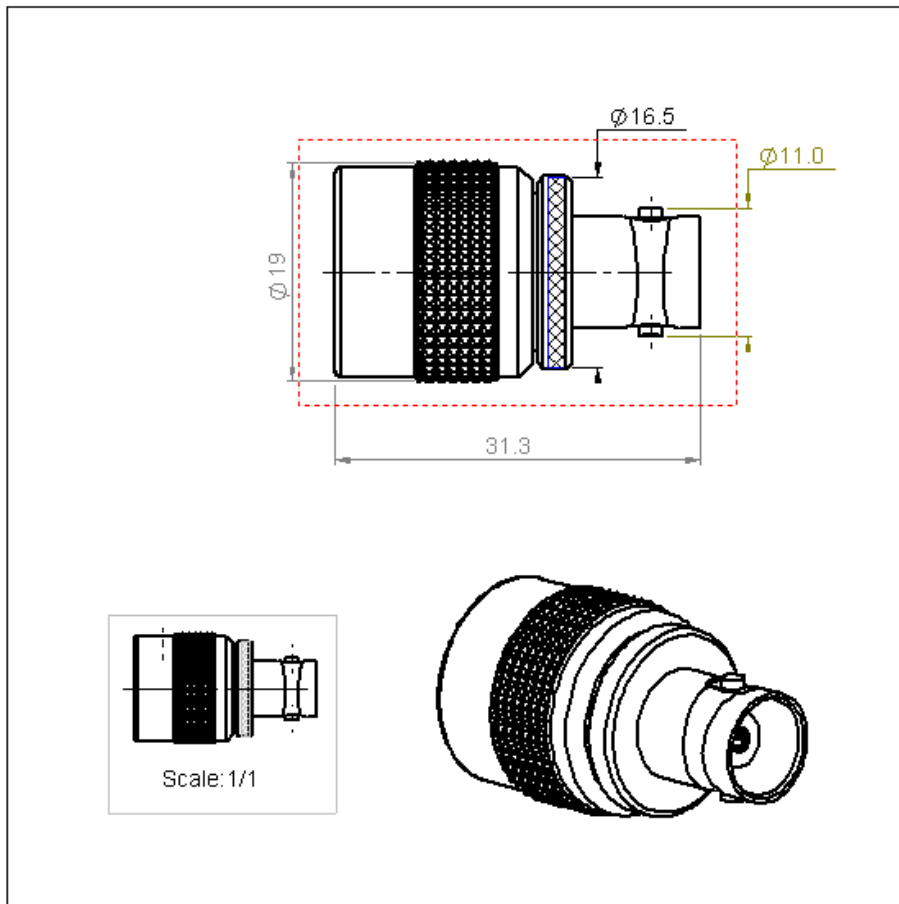


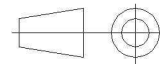
BNC FEMALE - C MALE STRAIGHT ADAPTER

R191.429.000

Série : ADAPT



All dimensions are in mm.



COMPONENTS	MATERIALS	PLATINGS (µm)
BODY	LAITON	NICKEL 2
CENTER CONTACT	CUPRO BERYLLIUM	ARGENT 5 SUR CUIVRE 0.5
OUTER CONTACT	CUPRO BERYLLIUM	NICKEL 2
INSULATOR	PTFE	
GASKET	ELASTOMERE SILICONE	
OTHERS PARTS	LAITON	NICKEL 2
-	-	-
-	-	-

Issue : 0512 S

In the effort to improve our products, we reserve the rights to make changes judged to be necessary.



BNC FEMALE - C MALE STRAIGHT ADAPTER

R191.429.000

Série : ADAPT

PACKAGING

SPECIFICATION

Standard	Unit	Other
1	-	Contact us

ELECTRICAL CHARACTERISTICS

ENVIRONMENTAL

Impedance	50	Ω
Frequency	0-4	GHz
VSWR	1.2 + 0,0200	x F(GHz) Maxi
Insertion loss	-	\sqrt{F} (GHz) dB Maxi
RF leakage	- (- F(GHz)) dB Maxi
Voltage rating	-	Veff Maxi
Dielectric withstanding voltage	1500	Veff mini
Insulation resistance	5000	M Ω mini

Operating	-55/+125	$^{\circ}$ C
Hermetic seal	NA	Atm.cm3/s
Panel leakage	NA	

MECHANICAL CHARACTERISTICS

OTHERS CHARACTERISTICS

Center contact retention		
Axial force – Mating end	27	N mini
Axial force – Opposite end	27	N mini
Torque	NA	N.cm mini

Recommended torque		
Mating	BNC	0 N.cm
	C	0 N.cm
	-	0 N.cm
Panel nut	NA	N.cm

Mating life	500	Cycles mini
Weight	25,1030	g

Issue : 0512 S

In the effort to improve our products, we reserve the rights to make changes judged to be necessary.



RADIALL®