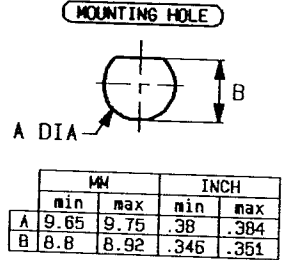
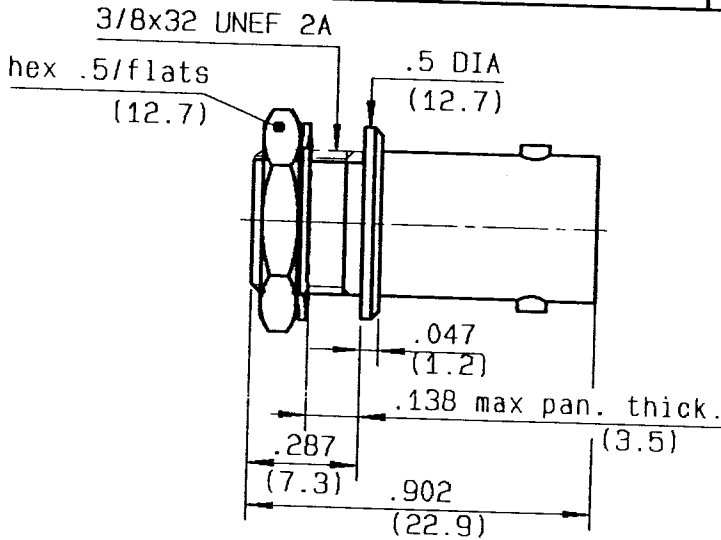


ADAPTOR BNC F - MCX F

Issue : 9319 Page
Series ADAPT STD 50 1 / 1



CABLES : -

CHARACTERISTICS

NOMINAL IMPEDANCE	50	Ω
FREQUENCY RANGE	0-3	GHz
TEMPERATURE RATING	-55/+155	°C
VSWR	AD +	- x F(GHz)Max1
RF INSERTION LOSS	AD	√F(GHz) dB Maxi
VOLTAGE RATING	750	Vrms Max
DIELECTRIC WITHSTANDING VOLTAGE	1000	Vrms min
INSULATION RESISTANCE	1000	MΩ min
HERMETIC SEAL	-	cc/s
LEAKAGE (pressurized only)	NA	Atm.cm3/s
WEIGHT	NA	psi
	0	Oz
	-	g

STANDARDISATION

CABLE RETENTION	0	lb min
	NA	N
CENTER CONTACT RETENTION		
Axial force - mating end	5.95	lb min
	27	N
Axial force - opposite end	2.2	lb min
	10	N
Torque (Min)	0	Inch.oz
	NA	cm.N
RECOMMENDED TORQUES		
Mating	0	inch.lb
	NA	cm.N
Panel nut	22.08	inch.lb
	250	cm.N
Clamp nut	0	inch.lb
	-	cm.N

CONSTRUCTION

CONNECTOR PARTS

MATERIALS

FINISH

BODY	BRASS	NICKEL
OUTER CONTACT	BRASS	NICKEL
CENTER CONTACT	BERYLLIUM COPPER	GOLD OVER NICKEL
INSULATOR	PTFE	-
-	-	-
-	-	-
-	-	-
-	-	-
-	-	-

ISSUE	REVISION No	DESCRIPTION	BY	DATE

Initiated on 13/05/93
Superseded on - - - -

The information given here is subject to change without notice. Design changes may be in order to improve the product.

