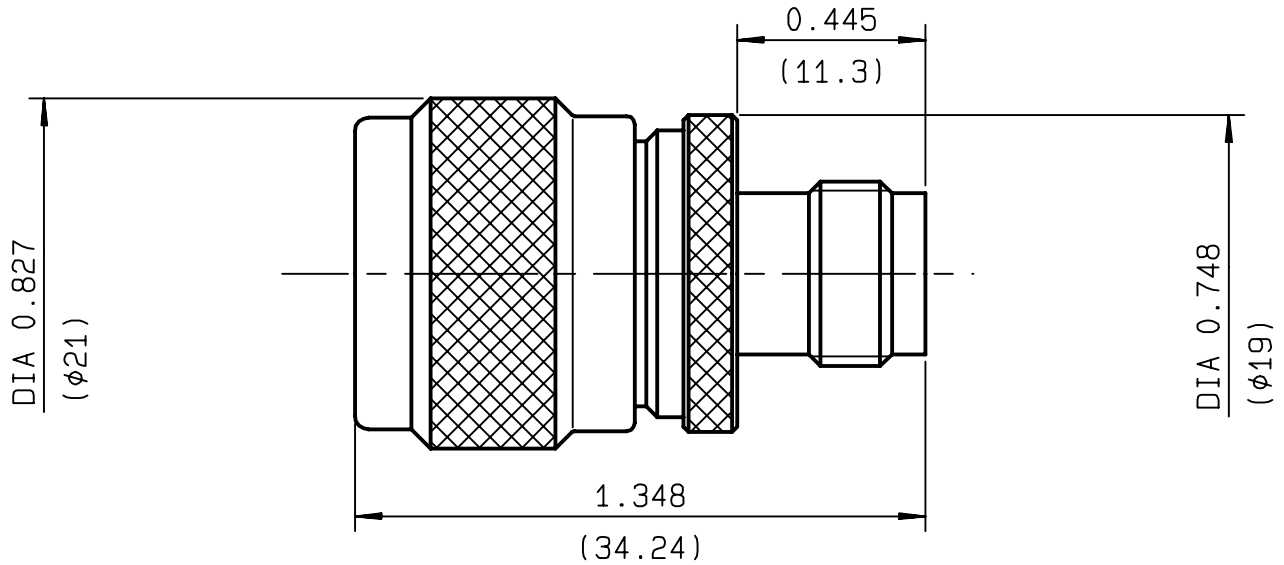


N MALE - TNC FEMALE STRAIGHT ADAPTER

R191.513.050
SERIES ADAPT



NOMINAL IMPEDANCE	50 Ω	CABLES :		
FREQUENCY RANGE	0-11 GHz			
TEMPERATURE RATING	-55/+155 °C			
V.S.W.R	1.3 + 0 x F(GHz)Maxi			
RF INSERTION LOSS	0.048 √F(GHz) dB Maxi			
VOLTAGE RATING	500 Veff Maxi			
DIELECTRIC WITHSTANDING VOLTAGE	1000 Veff Mini			
INSULATION RESISTANCE	5000 MΩMini		OTHERS CHARACTERISTICS	
HERMETIC SEAL	NA Atm.cm ³ /s		CABLE RETENTION	N Mini
LEAKAGE (pressurized only)	NA		CENTER CONTACT RETENTION	
MECHANICAL DURABILITY	500 Cycles	Axial force - mating end	18 N Mini	
WEIGHT	gr	Axial force - opposite end	18 N Mini	
SPECIFICATION		Torque	NA cm.N Mini	
		RECOMMENDED TORQUES		
		Mating	NA cm.N	
		Panel nut	NA cm.N	
		Clamp nut	NA cm.N	

CONNECTOR PARTS:	MATERIALS	FINISH	(all values are given) in micrometers
BODY	BRASS	BLACK-CHROMIUM 0.2 OVER NICKEL 3.5	
OUTER CONTACT	BRASS	NICKEL 2	
CENTER CONTACT	BERYLLIUM COPPER	GOLD 0.5 OVER NICKEL 2	
INSULATOR	PTFE	-	
GASKET	SILICONE RUBBER	-	
OTHERS PIECES	BRASS	BLACK-CHROMIUM 0.2 OVER NICKEL 2	

ISSUE	CREATION DATE	FILE PART-NUMBER
0204B00	10/09/1997	97-0400-567



RADIALL®

RAFFAELI

The information given here is subject to change without notice.
 Design changes may be in order to improve the product .

Connect to the future