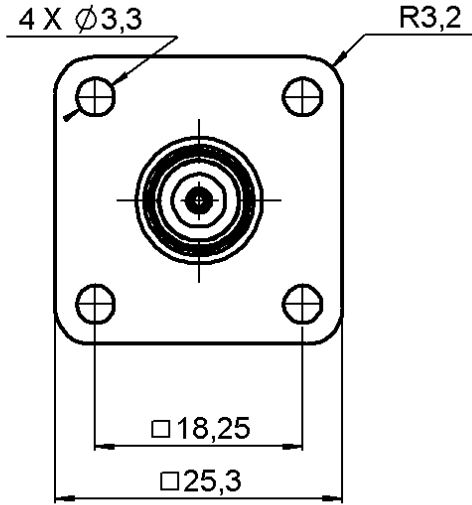
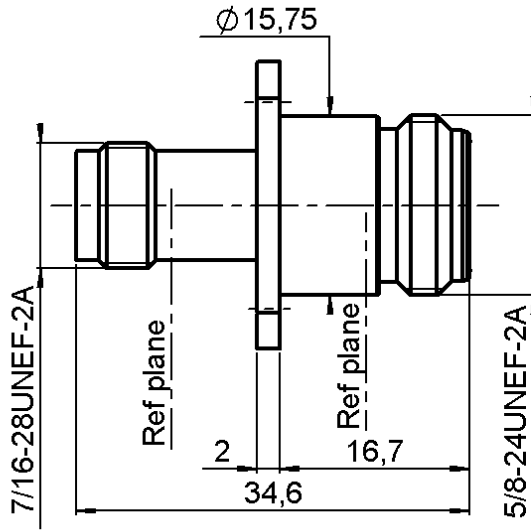


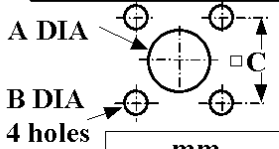
FEMALE TNC - FEMALE N STRAIGHT ADAPTER
SQUARE FLANGE ADAPTER

R191.514.020

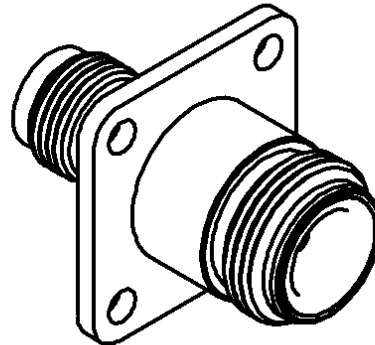
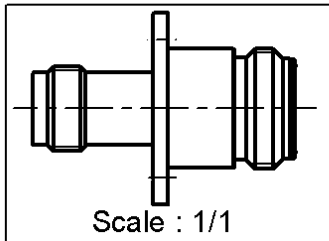
Série : ADAPT



PANEL CUT OUT



	mm	
	Maxi	mini
A	16.3	16.1
B	3.3	3.2
C	18.35	18.15



All dimensions are in mm.

COMPONENTS	MATERIALS	PLATINGS (µm)
BODY	BRASS	NICKEL 2
CENTER CONTACT	BERYLLIUM COPPER	GOLD 0.5 OVER NICKEL 2
OUTER CONTACT	BRASS	NICKEL 2
INSULATOR	PTFE	
GASKET		
OTHERS PARTS		
-	-	-
-	-	-

Issue : 0245 A

In the effort to improve our products, we reserve the rights to make changes judged to be necessary.



**FEMALE TNC - FEMALE N STRAIGHT ADAPTER
SQUARE FLANGE ADAPTER**

R191.514.020

Série : ADAPT

PACKAGING

SPECIFICATION

ABS1332-01

Standard	Unit	Other
1		Contact us

ELECTRICAL CHARACTERISTICS

ENVIRONMENTAL

Impedance		50 Ω
Frequency		0-11 GHz
VSWR	1.45 +	0.000 x F(GHz) Maxi
Insertion loss		0.14 √F(GHz) dB Maxi
RF leakage	- (- F(GHz)) dB Maxi
Voltage rating		500 Veff Maxi
Dielectric withstanding voltage		1500 Veff mini
Insulation resistance		5000 MΩ mini

Operating	-55/+155 °C
Hermetic seal	NA Atm.cm3/s
Panel leakage	NA

MECHANICAL CHARACTERISTICS

OTHERS CHARACTERISTICS

Center contact retention		
Axial force – Mating end		27 N mini
Axial force – Opposite end		27 N mini
Torque		NA N.cm mini
Recommended torque		
Mating	TNC	0 N.cm
	N	0 N.cm
		0 N.cm
Panel nut		NA N.cm
Mating life		500 Cycles mini
Weight		32.000 g

Issue : 0245 A

In the effort to improve our products, we reserve the rights to make changes judged to be necessary.

