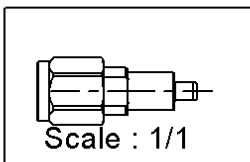
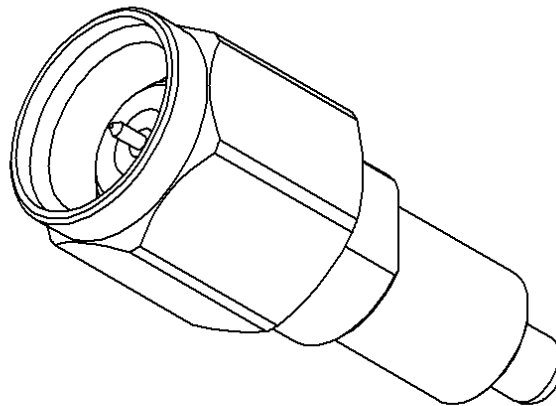
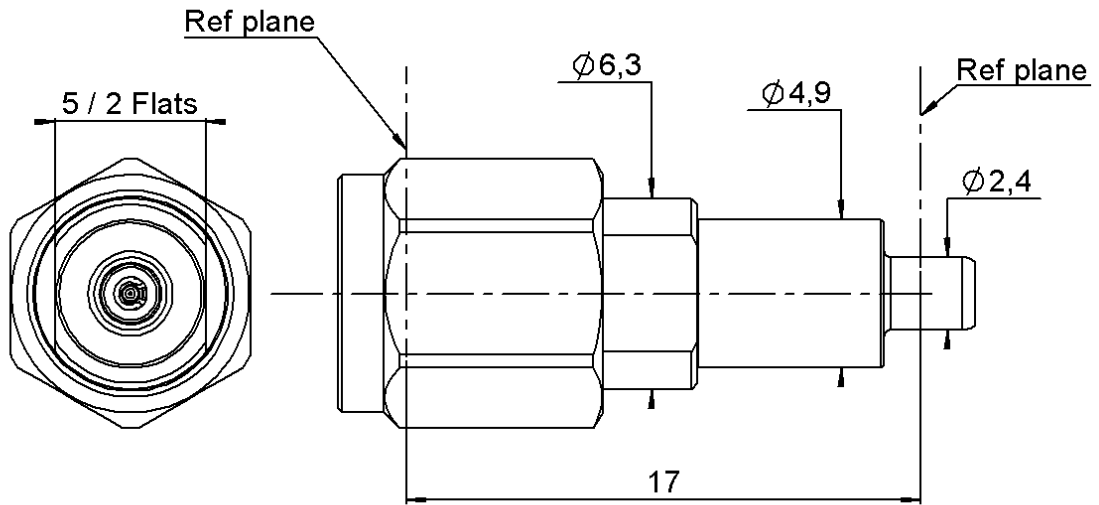
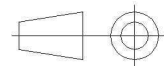


PAGE 1/2	ISSUE 1339	SERIES ADAPT-MES	PART NUMBER R191554000
----------	------------	------------------	------------------------



All dimensions are in mm.



COMPONENTS	MATERIALS	PLATING (µm)
Body	<b>BERYLLIUM COPPER</b>	<b>GOLD 1.3 OVER NICKEL2</b>
Center contact	<b>BERYLLIUM COPPER</b>	<b>NPGR</b>
Outer contact	-	-
Insulator	<b>PEEK</b>	
Gasket	-	
Others parts	<b>BERYLLIUM COPPER</b>	<b>NICKEL 2</b>
-	-	-
-	-	-

PAGE <b>2/2</b>	ISSUE <b>1339</b>	SERIES <b>ADAPT-MES</b>	PART NUMBER <b>R191554000</b>
-----------------	-------------------	-------------------------	-------------------------------

PACKAGING

Standard	Unit	Other
<b>UNITAIRE</b>	-	<b>Contact us</b>

ELECTRICAL CHARACTERISTICS

Impedance		<b>50</b>		Ω
Frequency		<b>0-40</b>		GHz
VSWR	<b>1.05</b>	<b>+</b>	<b>0,0040</b>	x F(GHz) Maxi
Insertion loss			<b>0.25</b>	√F(GHz) dB Maxi
RF leakage		-	<b>NA</b>	- F(GHz) dB Maxi
Voltage rating			<b>335</b>	Veff Maxi
Dielectric withstanding voltage			<b>500</b>	Veff mini
Insulation resistance			<b>5000</b>	MΩ mini

ENVIRONMENTAL

Operating	<b>-65/+175</b>	°C
Hermetic seal		Atm.cm3/s
Panel leakage		

MECHANICAL CHARACTERISTICS

Center contact retention				
Axial force – Mating End		<b>7</b>		N mini
Axial force – Opposite end		<b>7</b>		N mini
Torque		<b>NA</b>		N.cm mini
Recommended torque				
Mating		<b>95</b>		N.cm
		<b>0</b>		N.cm
		<b>0</b>		N.cm
Panel nut				N.cm
Mating life		<b>500</b>		Cycles mini
Weight		<b>3,9700</b>		g

SPECIFICATION

OTHER CHARACTERISTICS