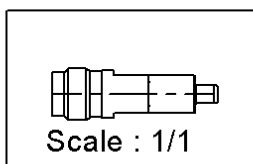
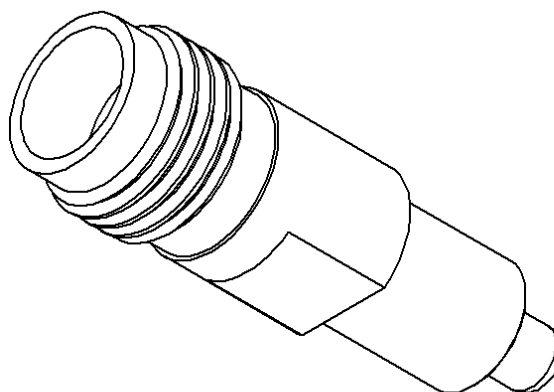
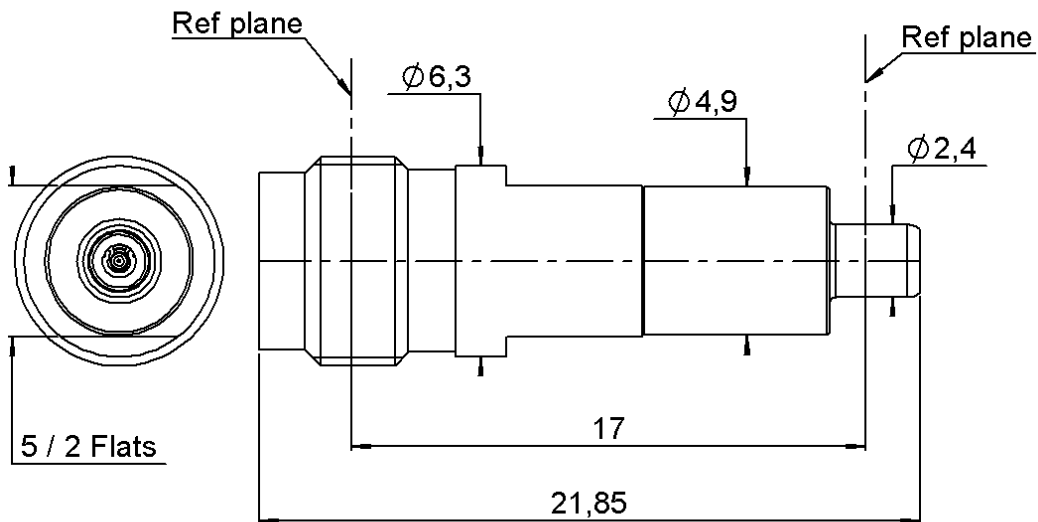
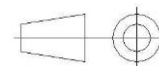


PAGE 1/2	ISSUE 26-01-15C	SERIES ADAPT-MES	PART NUMBER R191556000
----------	-----------------	------------------	------------------------



All dimensions are in mm.



COMPONENTS	MATERIALS	PLATING (µm)
Body	BERYLLIUM COPPER	GOLD 1.3 OVER NICKEL2
Center contact	BERYLLIUM COPPER	NPGR
Outer contact	-	-
Insulator	PEEK	
Gasket	-	
Others parts	-	
-	-	
-	-	

PAGE 2/2	ISSUE 26-01-15C	SERIES ADAPT-MES	PART NUMBER R191556000
-----------------	------------------------	-------------------------	-------------------------------

PACKAGING

Standard	Unit	Other
	Contact us	Contact us

ELECTRICAL CHARACTERISTICS

Impedance		50	Ω
Frequency		0-40	GHz
VSWR	1.05	+	0,0040 x F(GHz) Maxi
Insertion loss		0.05	\sqrt{F} (GHz) dB Maxi
RF leakage		- (NA	- F(GHz) dB Maxi
Voltage rating		335	Veff Maxi
Dielectric withstanding voltage		1000	Veff mini
Insulation resistance		5000	M Ω mini

ENVIRONMENTAL

Operating	-65/+175	$^{\circ}\text{C}$
Hermetic seal	NA	Atm.cm3/s
Panel leakage	NA	

MECHANICAL CHARACTERISTICS

Center contact retention			
Axial force – Mating End		6.7	N mini
Axial force – Opposite end		6.7	N mini
Torque		NA	N.cm mini
Recommended torque			
Mating		0	N.cm
		0	N.cm
		0	N.cm
Panel nut		NA	N.cm
Mating life		500	Cycles mini
Weight		3,3000	g

SPECIFICATION

OTHER CHARACTERISTICS