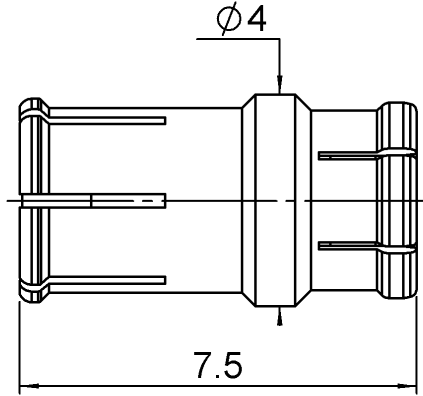


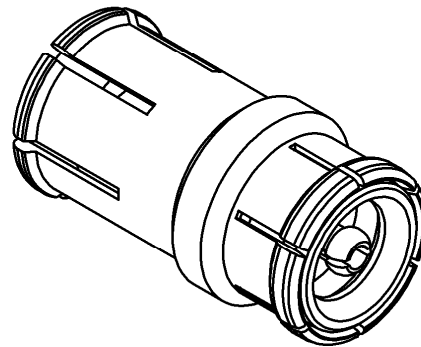
**SMP-MAX FEMALE SLIDE-MMBX MALE SNAP TYPE
STRAIGHT ADAPTER**

R191.560.000

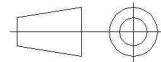
Série : ADAPTER




Scale: 1/1



All dimensions are in mm.



COMPONENTS	MATERIALS	PLATING (μm)
BODY	BERYLLIUM COPPER	NPGR
CENTER CONTACT	BERYLLIUM COPPER	NPGR
OUTER CONTACT		
INSULATOR	PTFE	
GASKET		
OTHERS PARTS		
-	-	-
-	-	-

Issue : 1045 A

In the effort to improve our products, we reserve the rights to make changes judged to be necessary.

RADIALL 

SMP-MAX FEMALE SLIDE-MMBX MALE SNAP TYPE

R191.560.000

STRAIGHT ADAPTER

Série : **ADAPTER**

PACKAGING

SPECIFICATION

Standard	Unit	Other
100	'W' option	Contact us

ELECTRICAL CHARACTERISTICS

ENVIRONMENTAL

Impedance	50 Ω
Frequency	0-6 GHz
VSWR	1.25* + 0,0000 x F(GHz) Maxi
Insertion loss	0.15* √F(GHz) dB Maxi
RF leakage	- (NA - F(GHz)) dB Maxi
Voltage rating	335 Veff Maxi
Dielectric withstanding voltage	500 Veff mini
Insulation resistance	1000 MΩ mini

Operating	-55/+155 °C
Hermetic seal	NA Atm.cm3/s
Panel leakage	NA

MECHANICAL CHARACTERISTICS

OTHER CHARACTERISTICS

Center contact retention	
Axial force – Mating end	10 N mini
Axial force – Opposite end	10 N mini
Torque	NA N.cm mini

*VSWR: up to 3GHz; 3-6GHz, 1.35max
 *Coaxial Transmission Line Only
 *Slide type receptacle+Bullet+Snap type receptacle
 Radial misalignment tolerance: 3°min
 Axial misalignment tolerance : 2mm
 Power handling (typical) : >150W@3GHz,25°C

Recommended torque	
Mating	SMP-MAX 0 N.cm
	MMBX 0 N.cm
	0 N.cm
Panel nut	NA N.cm

Mating life	100 Cycles mini
Weight	0,2170 g

Issue : **1045** A

In the effort to improve our products, we reserve the rights to make changes judged to be necessary.



PRELIMINARY