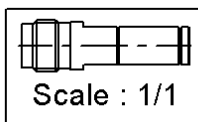
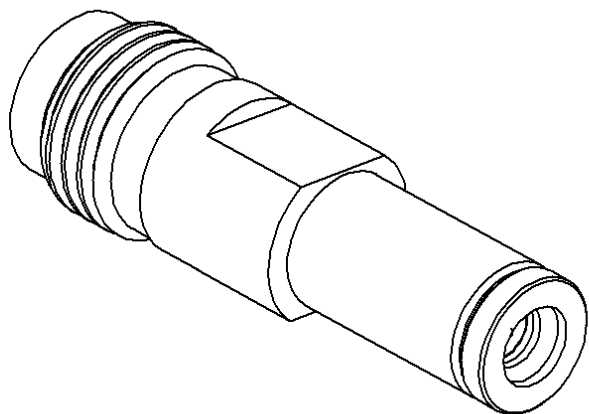
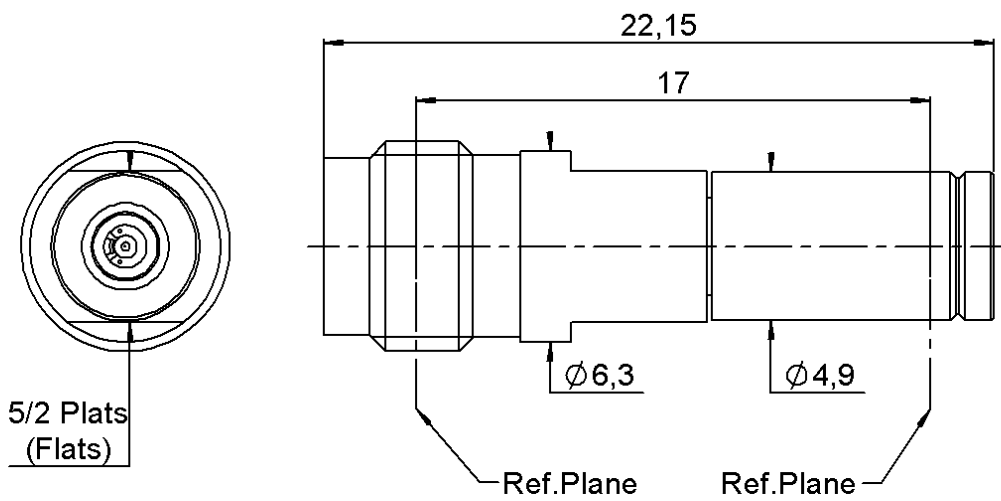
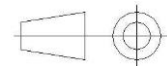


PAGE 1/2	ISSUE 11-04-17B	SERIES ADAPT	PART NUMBER R191564000
----------	-----------------	--------------	------------------------



All dimensions are in mm.



COMPONENTS	MATERIALS	PLATING (µm)
Body	BERYLLIUM COPPER	GOLD 0.5 OVER NICKEL 2
Center contact	BERYLLIUM COPPER	OR 1.3 OVER NICKEL PHOSPHORUS 2
Outer contact		
Insulator	PEEK	
Gasket		
Others parts		
-	-	-
-	-	-

PAGE 2/2	ISSUE 11-04-17B	SERIES ADAPT	PART NUMBER R191564000
-----------------	------------------------	---------------------	-------------------------------

PACKAGING

Standard	Unit	Other
	Contact us	Contact us

ELECTRICAL CHARACTERISTICS

Impedance		50	Ω
Frequency		0-40	GHz
VSWR	1.05	+	0,0100 x F(GHz) Maxi
Insertion loss		0.12	√F(GHz) dB Maxi
RF leakage	- (NA	- F(GHz) dB Maxi
Voltage rating		335	Veff Maxi
Dielectric withstanding voltage		500	Veff mini
Insulation resistance		5000	MΩ mini

ENVIRONMENTAL

Operating	-65/+165	°C
Hermetic seal	NA	Atm.cm3/s
Panel leakage	NA	

MECHANICAL CHARACTERISTICS

Center contact retention			
Axial force – Mating End		6.7	N mini
Axial force – Opposite end		6.7	N mini
Torque		NA	N.cm mini
Recommended torque			
Mating	SMA 2.4	0	N.cm
	SMPM	0	N.cm
		0	N.cm
Panel nut		NA	N.cm
Mating life		100	Cycles mini
Weight		3,8900	g

SPECIFICATION

OTHER CHARACTERISTICS