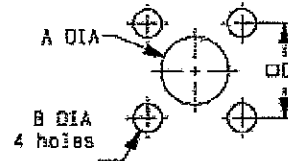
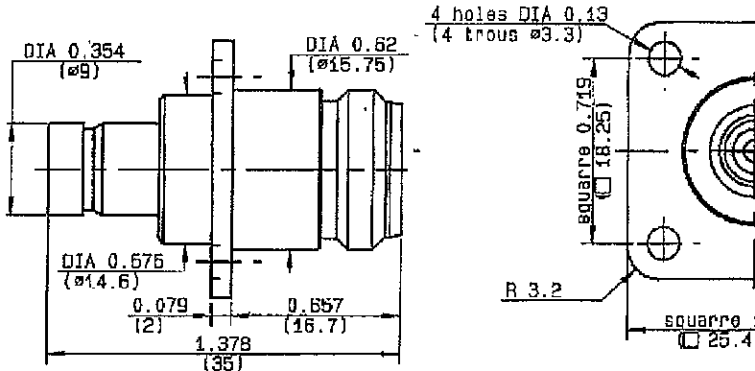


FEMALE ADAPTOR MQ - N FEMALE  
FLANGE RECEPTACLE



	MM		INCH	
	maxi	mini	maxi	mini
A Front	16.3	16.1	0.642	0.634
A Rear	16.3	15.1	0.642	0.634
B	3.30	3.20	0.13	0.126
C	18.35	18.15	0.722	0.716

CHARACTERISTICS

NOMINAL IMPEDANCE	50 $\Omega$
FREQUENCY RANGE	0-4 GHz
TEMPERATURE RATING	-65/+125 °C
VSWR	- + 0 x F(GHz)Max1
RF INSERTION LOSS	- $\sqrt{F}$ (GHz) dB Max1
VOLTAGE RATING	- Vrms Max
DIELECTRIC WITHSTANDING VOLTAGE	1500 Vrms min
INSULATION RESISTANCE	5000 M $\Omega$ min
HERMETIC SEAL	- g/g - Atm.cm3/s
LEAKAGE (pressurized only)	- psi - MPa
WEIGHT	1.25 Oz 35 g

STANDARDISATION

CABLE RETENTION

CENTER CONTACT RETENTION

Axial force - mating end	6.06 <sub>27</sub>	1b min N
Axial force - opposite end	6.06 <sub>27</sub>	1b min N
Torque (Min)	0	1inch.oz 0.01N

RECOMMENDED TORQUES

Mating	0	1inch.1b 0.01N
Panel nut	0	1inch.1b 0.01N
Clamp nut	0	1inch.1b 0.01N

CONSTRUCTION

CONNECTOR PARTS	MATERIALS	FINISH
BODY	BRASS	CHROMIUM OVER NICKEL
OUTER CONTACT	BRASS	NICKEL
CENTER CONTACT	BERYLLIUM COPPER	GOLD OVER NICKEL
INSULATOR	PTFE	-
-	-	-

ISSUE	REVISION No	DESCRIPTION	BY	DATE
-	-	-	-	-
-	-	-	-	-
-	-	-	-	-

Initiated on 24-04-95

The information given here is subject to change without notice. Design changes may be in order to improve the product.



Approval by TRIGUES E.

FANJAT O.