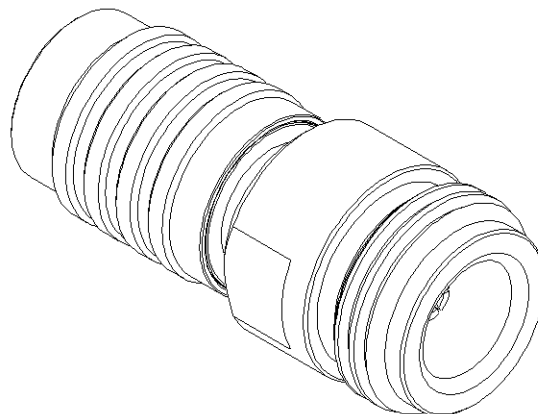
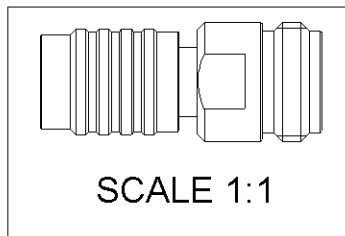
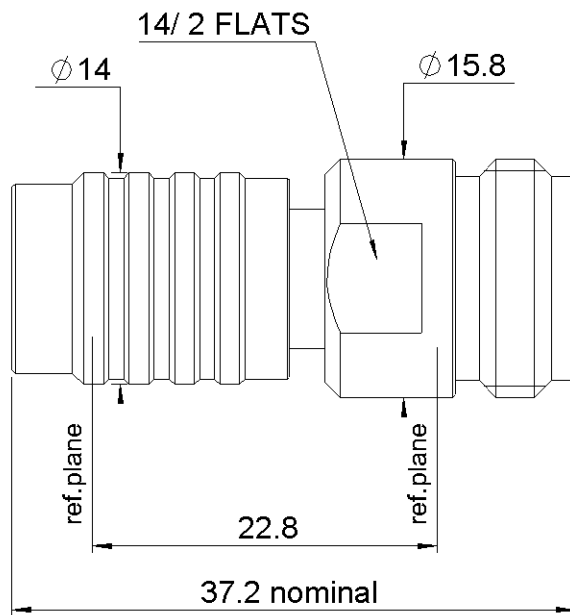
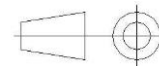


PAGE 1/2	ISSUE 23-08-17B	SERIES ADAPTER	PART NUMBER R191620007
----------	-----------------	-------------------	------------------------



All dimensions are in mm. Tolerances according ISO 2768 m-H



COMPONENTS	MATERIALS	PLATING ( $\mu\text{m}$ )
Body	<b>BRASS.</b>	<b>BBR</b>
Center contact	<b>BERYLLIUM COPPER</b>	<b>SILVER</b>
Outer contact	<b>BERYLLIUM COPPER</b>	<b>SILVER</b>
Insulator	<b>PTFE</b>	
Gasket	<b>SILICONE RUBBER</b>	
Others parts	<b>BRASS,BRONZE</b>	<b>BBR</b>
-	-	-
-	-	-

PAGE <b>2/2</b>	ISSUE <b>23-08-17B</b>	SERIES <b>ADAPTER</b>	PART NUMBER <b>R191620007</b>
-----------------	------------------------	--------------------------	-------------------------------

**PACKAGING**

Standard	Unit	Other
<b>1</b>	<b>Contact us</b>	<b>Contact us</b>

**ELECTRICAL CHARACTERISTICS**

Impedance		<b>50</b>	$\Omega$
Frequency		<b>0-11</b>	GHz
VSWR	<b>1.02</b>	<b>+</b>	<b>0.0150</b> x F(GHz) Maxi
Insertion loss		<b>0.05</b>	$\sqrt{F}$ (GHz) dB Maxi
RF leakage	<b>- (</b>	<b>NA</b>	- F(GHz) dB Maxi
Voltage rating		<b>500</b>	Veff Maxi
Dielectric withstanding voltage		<b>1500</b>	Veff mini
Insulation resistance		<b>5000</b>	M $\Omega$ mini

**ENVIRONMENTAL**

Operating	<b>-55~+125</b>	$^{\circ}\text{C}$
Hermetic seal	<b>NA</b>	Atm.cm3/s
Panel leakage	<b>NA</b>	

**MECHANICAL CHARACTERISTICS**

Center contact retention			
Axial force – Mating End		<b>27</b>	N mini
Axial force – Opposite end		<b>27</b>	N mini
Torque		<b>NA</b>	N.cm mini

**SPECIFICATION**

**OTHER CHARACTERISTICS**

**PIM3<=-123 dBm, 2 carriers of +43dBm**

Recommended torque			
Mating	<b>NEX10</b>	<b>0</b>	N.cm
	<b>N</b>	<b>0</b>	N.cm
		<b>0</b>	N.cm
Panel nut		<b>NA</b>	N.cm
Mating life		<b>100</b>	Cycles mini
Weight		<b>31.4220</b>	g