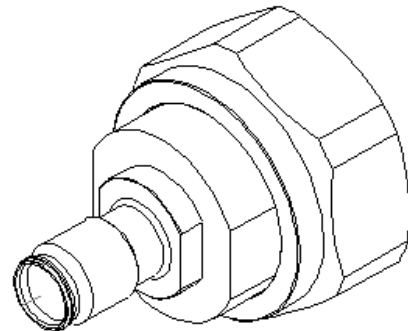
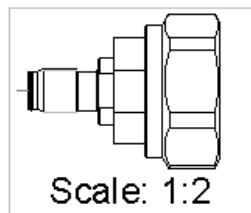
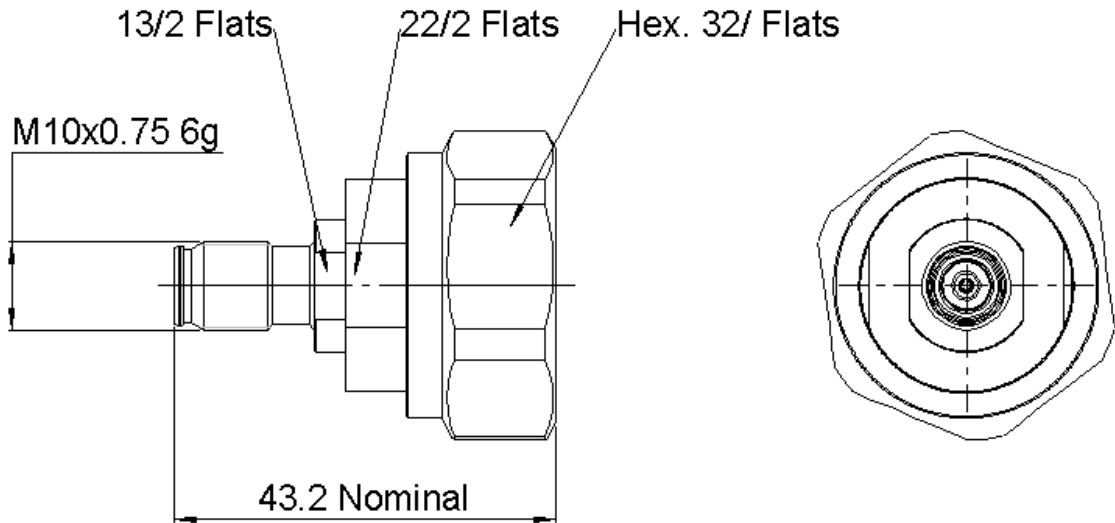
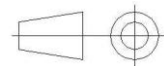


PAGE 1/2	ISSUE 30-11-16A	SERIES ADAPTER	PART NUMBER R191620017
----------	-----------------	-------------------	-------------------------------



All dimensions are in mm.



COMPONENTS	MATERIALS	PLATING (µm)
Body	BRASS	BBR OVER SILVER
Center contact	BERYLLIUM COPPER	SILVER
Outer contact	-	-
Insulator	PTFE	
Gasket	-	
Others parts	BRASS	BBR
-	-	-
-	-	-

PAGE 2/2	ISSUE 30-11-16A	SERIES ADAPTER	PART NUMBER R191620017
-----------------	------------------------	--------------------------	-------------------------------

PACKAGING

Standard	Unit	Other
1	Contact us	Contact us

ELECTRICAL CHARACTERISTICS

Impedance	50		Ω
Frequency	0-6		GHz
VSWR	* + 0.0000		x F(GHz) Maxi
Insertion loss	**		√F(GHz) dB Maxi
RF leakage	- (NA		- F(GHz) dB Maxi
Voltage rating	500		Veff Maxi
Dielectric withstanding voltage	1500		Veff mini
Insulation resistance	5000		MΩ mini

MECHANICAL CHARACTERISTICS

<u>Center contact retention</u>			
Axial force – Mating End	27		N mini
Axial force – Opposite end	27		N mini
Torque	NA		N.cm mini
<u>Recommended torque</u>			
Mating	NEX10	NA	N.cm
	7/16	NA	N.cm
		NA	N.cm
Panel nut		NA	N.cm
Mating life	100		Cycles mini
Weight	99.6700		g

ENVIRONMENTAL

Operating	-55~+125	°C
Hermetic seal	NA	Atm.cm3/s
Panel leakage	NA	

SPECIFICATION

OTHER CHARACTERISTICS

*.0~3GHz VSWR≤1.05, 3~6GHz VSWR≤1.15

**..0~6GHz IL≤0.12dB

PIM3≤-125dBm under 2 carriers of 43dBm @1800MHz