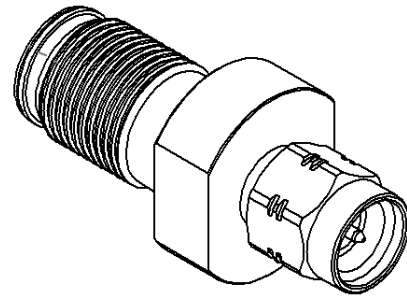
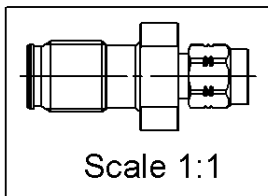
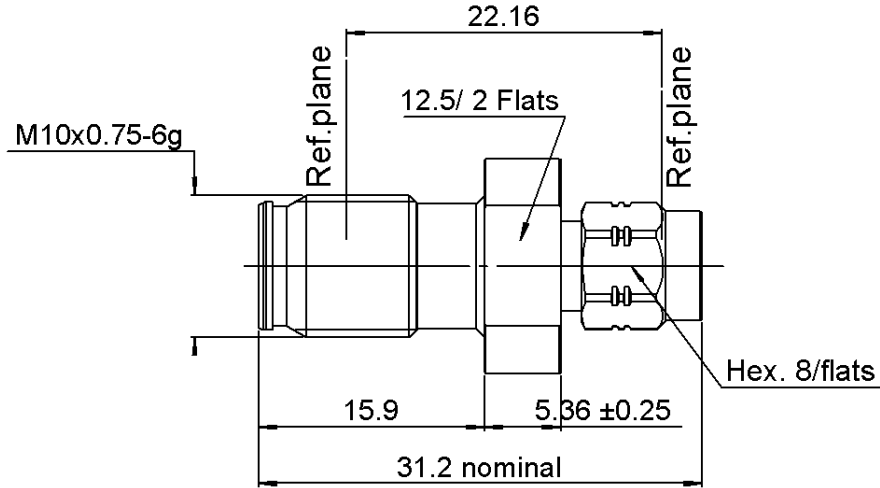
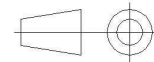


PAGE 1/2	ISSUE 01-02-18A	SERIES ADAPTER	PART NUMBER R191621026
----------	-----------------	-------------------	-------------------------------



All dimensions are in mm. Tolerances according ISO 2768 m-H



COMPONENTS	MATERIALS	PLATING (µm)
Body	BRASS.	HEP2R
Center contact	BERYLLIUM COPPER	GOLD OVER NICKEL
Outer contact		
Insulator	PTFE	
Gasket	SILICONE RUBBER	
Others parts	BRASS, BERYLLIUM COPPER	HEP2R
-	-	-
-	-	-

PAGE 2/2	ISSUE 01-02-18A	SERIES ADAPTER	PART NUMBER R191621026
----------	-----------------	-------------------	------------------------

PACKAGING

Standard	Unit	Other
1	Contact us	Contact us

ELECTRICAL CHARACTERISTICS

Impedance		50	Ω
Frequency		0-20	GHz
VSWR	* +	0.0000	x F(GHz) Maxi
Insertion loss		**	√F(GHz) dB Maxi
RF leakage	- (NA	- F(GHz) dB Maxi
Voltage rating		335	Veff Maxi
Dielectric withstanding voltage		750	Veff mini
Insulation resistance		5000	MΩ mini

MECHANICAL CHARACTERISTICS

Center contact retention			
Axial force – Mating End		NA	N mini
Axial force – Opposite end		NA	N mini
Torque		NA	N.cm mini
Recommended torque			
Mating	NEX10	0	N.cm
	SMA3.5	110	N.cm
		0	N.cm
Panel nut		NA	N.cm
Mating life		100	Cycles mini
Weight		15.4800	g

ENVIRONMENTAL

Operating	-55/+125	°C
Hermetic seal	NA	Atm.cm3/s
Panel leakage	NA	

SPECIFICATION

OTHER CHARACTERISTICS

*1.05 Maxi at 0-3GHz, 1.12 Maxi at 3-6GHz
 1.17 Maxi at 6-20GHz
 **0.12dB Maxi at 0-6 GHz, 0.15dB Maxi at 6-10GHz,
 0.2dB Maxi at 10-20GHz

CUSTOMER'S APPROVAL

Department or
company's stamp

Name :

Date :

Copy to send back to
RADIALL S.A. BEFORE :