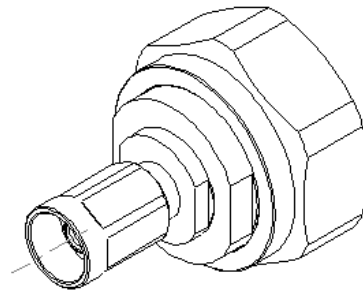
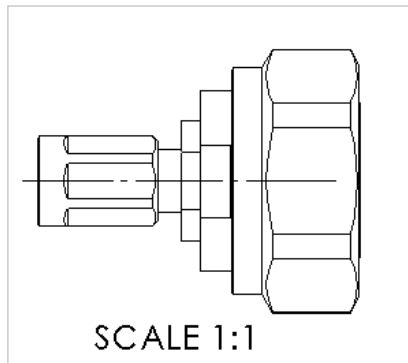
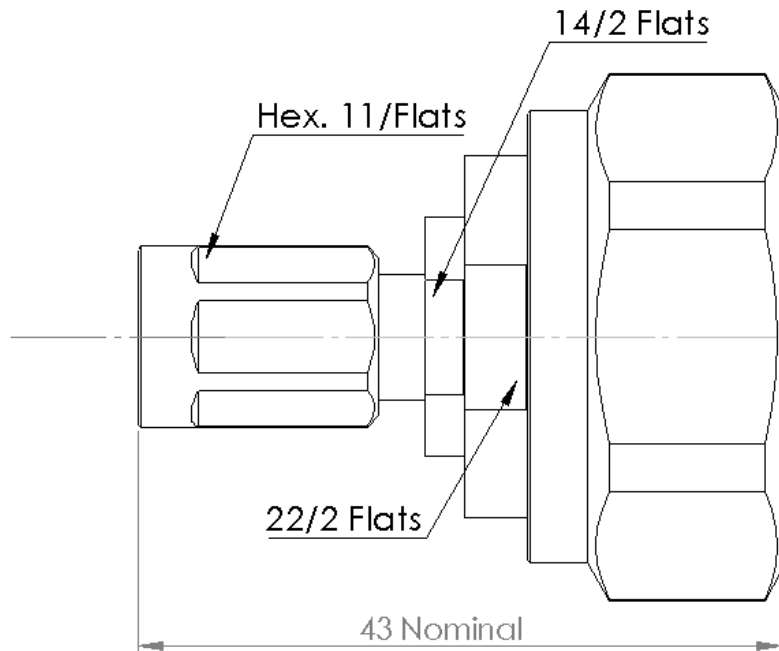
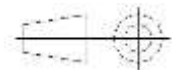


PAGE 1/2	ISSUE20-04-17A	SERIES ADAPTER	PART NUMBER <b>R191.631.007</b>
----------	----------------	-------------------	---------------------------------



All dimensions are in mm.



COMPONENTS	MATERIALS	PLATING (µm)
Body	<b>BRASS</b>	<b>BBR OVER SILVER</b>
Center contact	<b>BERYLLIUM COPPER</b>	<b>SILVER</b>
Outer contact	<b>BERYLLIUM COPPER</b>	<b>SILVER</b>
Insulator	<b>PTFE</b>	
Gasket	-	
Others parts	<b>BRASS, BRONZE</b>	<b>BBR</b>
-	-	-
-	-	-

PAGE <b>2/2</b>	ISSUE <b>20-04-17A</b>	SERIES <b>ADAPTER</b>	PART NUMBER <b>R191.631.007</b>
-----------------	------------------------	--------------------------	---------------------------------

**PACKAGING**

Standard	Unit	Other
<b>1</b>	<b>Contact us</b>	<b>Contact us</b>

**ELECTRICAL CHARACTERISTICS**

Impedance		<b>50</b>	Ω
Frequency		<b>0-6</b>	GHz
VSWR	* +	<b>0.0000</b>	x F(GHz) Maxi
Insertion loss		<b>**</b>	√F(GHz) dB Maxi
RF leakage	- (	<b>NA</b>	- F(GHz)) dB Maxi
Voltage rating		<b>500</b>	Veff Maxi
Dielectric withstanding voltage		<b>1500</b>	Veff mini
Insulation resistance		<b>5000</b>	MΩ mini

**MECHANICAL CHARACTERISTICS**

Center contact retention			
Axial force – Mating End		<b>27</b>	N mini
Axial force – Opposite end		<b>27</b>	N mini
Torque		<b>NA</b>	N.cm mini
Recommended torque			
Mating	<b>NEX10</b>	<b>NA</b>	N.cm
	<b>7/16</b>	<b>NA</b>	N.cm
		<b>NA</b>	N.cm
Panel nut		<b>NA</b>	N.cm
Mating life		<b>100</b>	Cycles mini
Weight		<b>90.288</b>	g

**ENVIRONMENTAL**

Operating	<b>-55~+125</b>	°C
Hermetic seal	<b>NA</b>	Atm.cm3/s
Panel leakage	<b>NA</b>	

**SPECIFICATION**

**OTHER CHARACTERISTICS**

\*.0~3GHz VSWR≤1.05, 3~6GHz VSWR≤1.15

\*\*..0~6GHz IL≤0.12dB

PIM3≤-125dBm under 2 carriers of 43dBm @1800MHz