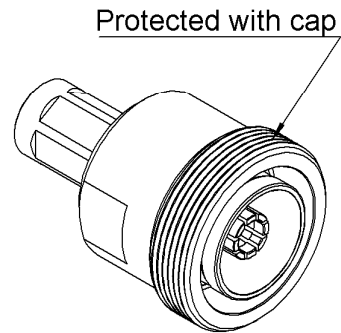
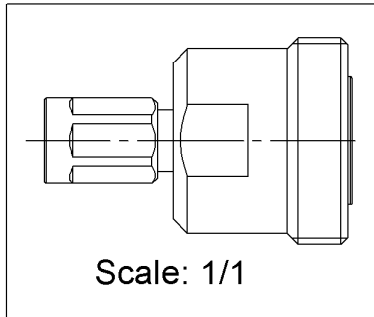
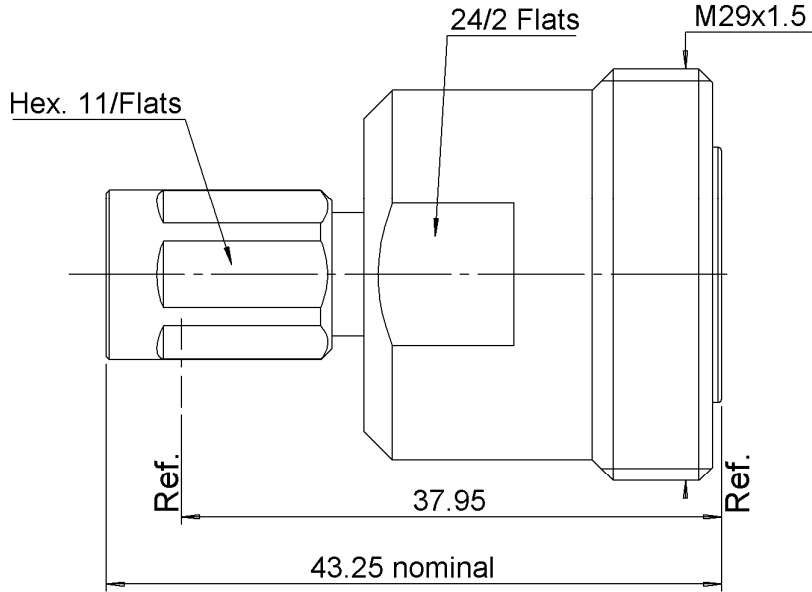
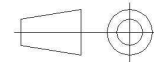


PAGE 1/2	ISSUE 31-01-18A	SERIES <b>ADAPTER</b>	<b>PART NUMBER R191632016</b>
----------	-----------------	--------------------------	-------------------------------



All dimensions are in mm. Tolerances according ISO 2768 m-H



COMPONENTS	MATERIALS	PLATING (µm)
Body	<b>BRASS.</b>	<b>HEP2R</b>
Center contact	<b>BRONZE</b>	<b>SILVER</b>
Outer contact	<b>BERYLLIUM COPPER; BRASS</b>	<b>SILVER, BBR OVER SILVER</b>
Insulator	<b>PTFE</b>	
Gasket	<b>SILICONE</b>	
Others parts	<b>BERYLLIUM COPPER; BRASS</b>	<b>HEP2R</b>
-	-	-
-	-	-

PAGE 2/2	ISSUE 31-01-18A	SERIES ADAPTER	PART NUMBER <b>R191632016</b>
----------	-----------------	-------------------	-------------------------------

### PACKAGING

Standard	Unit	Other
<b>1</b>	<b>Contact us</b>	<b>Contact us</b>

### ELECTRICAL CHARACTERISTICS

Impedance		<b>50</b>	Ω
Frequency		<b>0-7.5</b>	GHz
VSWR	<b>TBD</b> +	<b>0.0000</b>	x F(GHz) Maxi
Insertion loss		<b>TBD</b>	√F(GHz) dB Maxi
RF leakage	- (	<b>NA</b>	- F(GHz) dB Maxi
Voltage rating		<b>500</b>	Veff Maxi
Dielectric withstanding voltage		<b>1500</b>	Veff mini
Insulation resistance		<b>5000</b>	MΩ mini

### ENVIRONMENTAL

Operating	<b>-55/+125</b>	°C
Hermetic seal	<b>NA</b>	Atm.cm3/s
Panel leakage	<b>NA</b>	

### MECHANICAL CHARACTERISTICS

Center contact retention			
Axial force – Mating End		<b>27</b>	N mini
Axial force – Opposite end		<b>27</b>	N mini
Torque		<b>NA</b>	N.cm mini

Recommended torque			
Mating	<b>NEX10</b>	<b>150</b>	N.cm
	<b>7/16</b>	<b>0</b>	N.cm
		<b>0</b>	N.cm
Panel nut			N.cm

Mating life		<b>100</b>	Cycles mini
Weight		<b>84.5000</b>	g

### SPECIFICATION

### OTHER CHARACTERISTICS

**PIM3<-123dBm, 2 X 20W,1.8GHz**