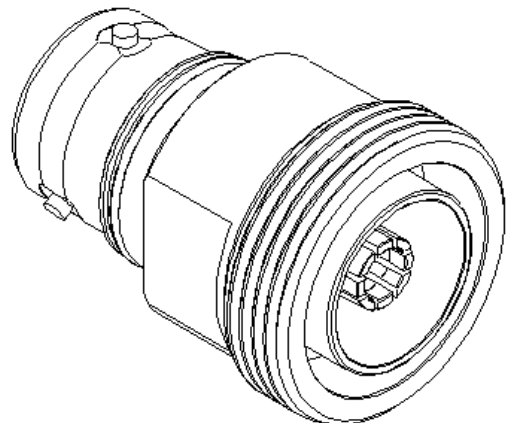
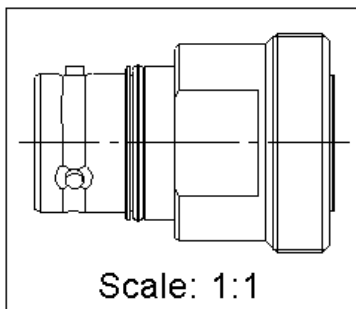
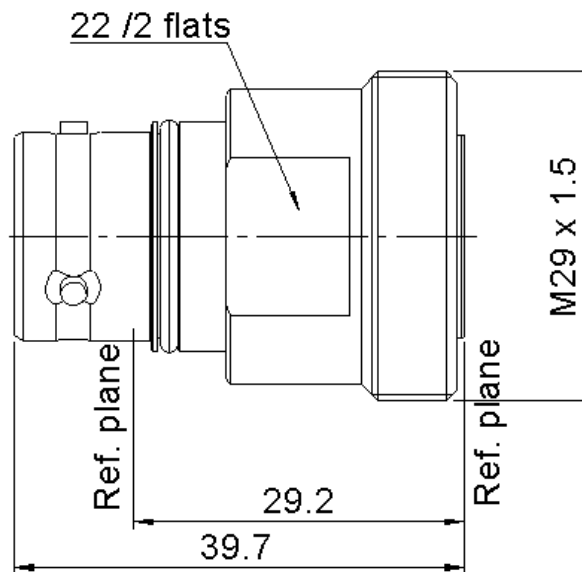
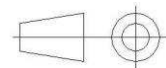


PAGE 1/2	ISSUE 1416B	SERIES ADAPTER	PART NUMBER R191664000
----------	-------------	-------------------	-------------------------------



All dimensions are in mm.



COMPONENTS	MATERIALS	PLATING (µm)
Body	BRASS	BBR
Center contact	BRONZE	SILVER
Outer contact		
Insulator	PTFE	
Gasket	SILICONE RUBBER	
Others parts		
-	-	-
-	-	-

PAGE 2/2	ISSUE 1416B	SERIES ADAPTER	PART NUMBER R191664000
-----------------	--------------------	--------------------------	-------------------------------

PACKAGING

Standard	Unit	Other
1	-	Contact us

ELECTRICAL CHARACTERISTICS

Impedance		50	Ω
Frequency		0-6	GHz
VSWR	1.04	+	0.0200 x F(GHz) Maxi
Insertion loss		0.05	\sqrt{F} (GHz) dB Maxi
RF leakage	-	(NA	- F(GHz) dB Maxi
Voltage rating		1400	Veff Maxi
Dielectric withstanding voltage		2500	Veff mini
Insulation resistance		5000	M Ω mini

ENVIRONMENTAL

Operating	-55~+120	$^{\circ}\text{C}$
Hermetic seal	NA	Atm.cm3/s
Panel leakage	NA	

MECHANICAL CHARACTERISTICS

Center contact retention			
Axial force – Mating End		50	N mini
Axial force – Opposite end		200	N mini
Torque		NA	N.cm mini

SPECIFICATION

Recommended torque			
Mating	QLI	0	N.cm
	7/16	0	N.cm
		0	N.cm
Panel nut		NA	N.cm

OTHER CHARACTERISTICS

**IMP3<-120dBm under 2 carriers of +43dBm
IP67 mated condition**

Mating life		100	Cycles mini
Weight		80.9300	g