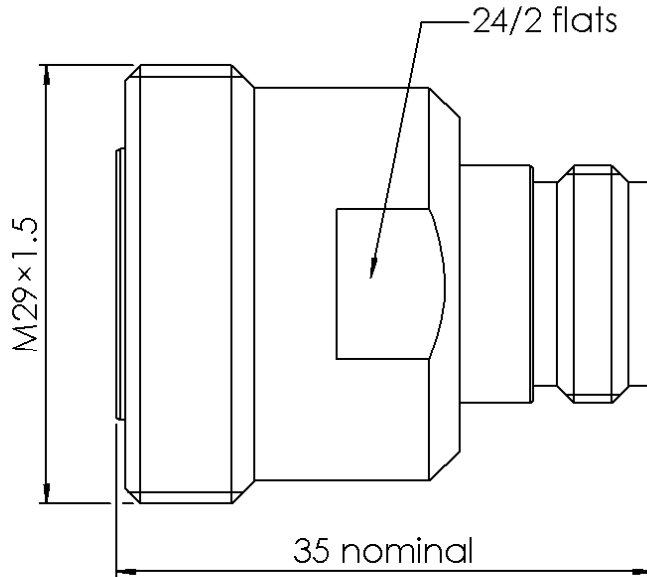


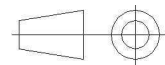
N FEMALE - 7/16 FEMALE STRAIGHT ADAPTER

R191.723.000

Series : **ADAPTER**



All dimensions are in mm.



COMPONENTS	MATERIALS	PLATING (µm)
BODY	BRASS	BBR OVER SILVER
CENTER CONTACT	BERYLLIUM COPPER	SILVER PASSIVATED OVER COPPER
OUTER CONTACT	BRASS	SILVER PASSIVATED OVER COPPER
INSULATOR	PTFE	
GASKET	-	-
OTHERS PARTS	-	-
-	-	-
-	-	-

Issue : 1238 B

In the effort to improve our products, we reserve the rights to make changes judged to be necessary.



N FEMALE - 7/16 FEMALE STRAIGHT ADAPTER

R191.723.000

Series : **ADAPTER**

PACKAGING

SPECIFICATION

Standard	Unit	Other
1	-	Contact us

ELECTRICAL CHARACTERISTICS

ENVIRONMENTAL

Impedance	50	Ω
Frequency	0-7.5	GHz
VSWR	1.06 + 0,0000	x F(GHz) Maxi
Insertion loss	0.03	\sqrt{F} (GHz) dB Maxi
RF leakage	- (NA)	- F(GHz)) dB Maxi
Voltage rating	1400	Veff Maxi
Dielectric withstanding voltage	2500	Veff mini
Insulation resistance	5000	M Ω mini

Operating	-55/+155	$^{\circ}$ C
Hermetic seal	NA	Atm.cm3/s
Panel leakage	NA	

MECHANICAL CHARACTERISTICS

OTHER CHARACTERISTICS

Center contact retention		
Axial force – Mating end	68	N mini
Axial force – Opposite end	68	N mini
Torque	NA	N.cm mini

VSWR:1.03 max at 0-3GHz
PIM3<-120dBm under 2 carriers of +43dBm

Recommended torque		
Mating	N	0 N.cm
	7/16	0 N.cm
	-	0 N.cm
Panel nut	NA	N.cm

Mating life	500	Cycles mini
Weight	74,2000	g

Issue : 1238 B

In the effort to improve our products, we reserve the rights to make changes judged to be necessary.

