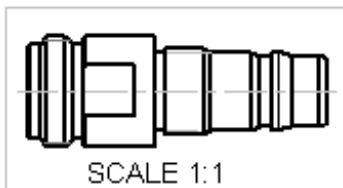
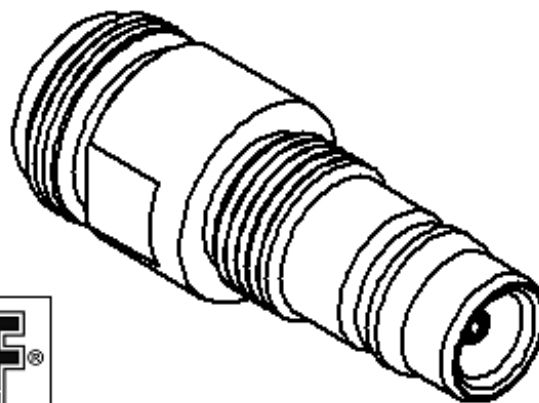
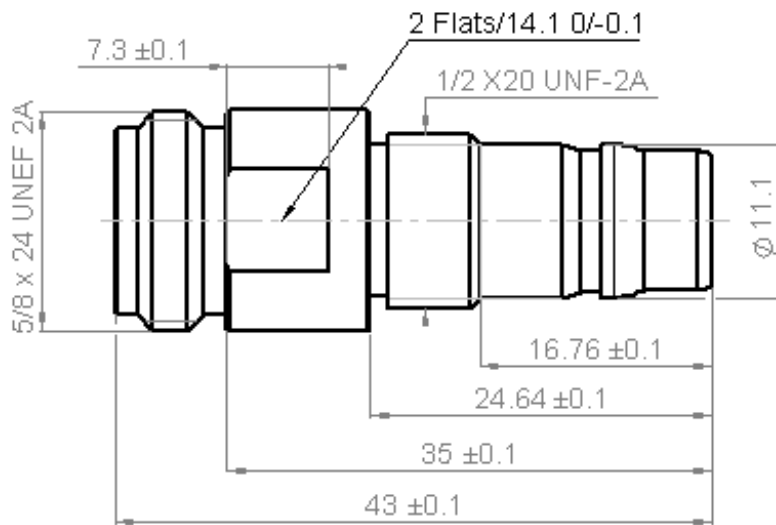


QN FEMALE - N FEMALE ADAPTER

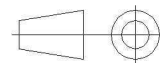
R191.760.010

N FEMALE ADAPTER

Série : ADAPT



All dimensions are in mm.



COMPONENTS	MATERIALS	PLATING (µm)
BODY	BRASS	ARGENT 3 SUR BBR 0.5
CENTER CONTACT	BERYLLIUM COPPER	ARGENT 5 PASSIVE SUR CUIVRE 0.5
OUTER CONTACT		
INSULATOR	PTFE	
GASKET		
OTHERS PARTS		
-	-	-
-	-	-

Issue : 0730 A

In the effort to improve our products, we reserve the rights to make changes judged to be necessary.



QN FEMALE - N FEMALE ADAPTER

R191.760.010

N FEMALE ADAPTER

Série : ADAPT

PACKAGING

SPECIFICATION

Standard	Unit	Other
	'W' option	Contact us

ELECTRICAL CHARACTERISTICS

ENVIRONMENTAL

Impedance		50 Ω
Frequency		0-6* GHz
VSWR	1.05 +	0,0250 x F(GHz) Maxi
Insertion loss		0.048 √F(GHz) dB Maxi
RF leakage	- (**90 - F(GHz)) dB Maxi
Voltage rating		1400 Veff Maxi
Dielectric withstanding voltage		2500 Veff mini
Insulation resistance		5000 MΩ mini

Operating	-55/+125 °C
Hermetic seal	NA Atm.cm3/s
Panel leakage	NA

MECHANICAL CHARACTERISTICS

OTHER CHARACTERISTICS

Center contact retention		
Axial force – Mating end		27 N mini
Axial force – Opposite end		27 N mini
Torque		NA N.cm mini

*usable: 0-11GHz
 **RF Leakage: -80dB min 3<F<6GHz
 ***PIM3: -112dBm(2x20W at 1.8GHz)

Recommended torque		
Mating	N	0 N.cm
	QN	0 N.cm
		0 N.cm
Panel nut		N.cm

Mating life		100 Cycles mini
Weight		35,8400 g

Issue : 0730 A

In the effort to improve our products, we reserve the rights to make changes judged to be necessary.

