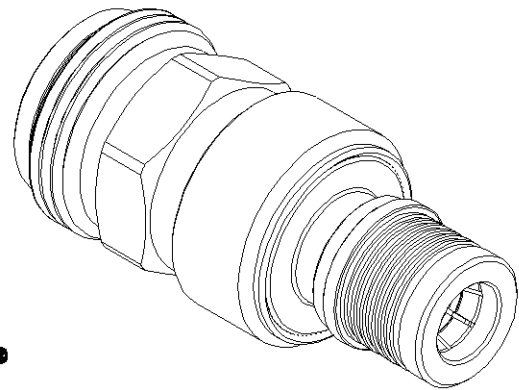
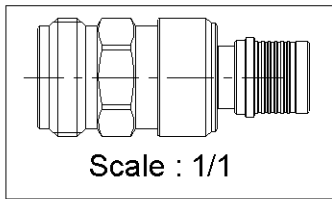
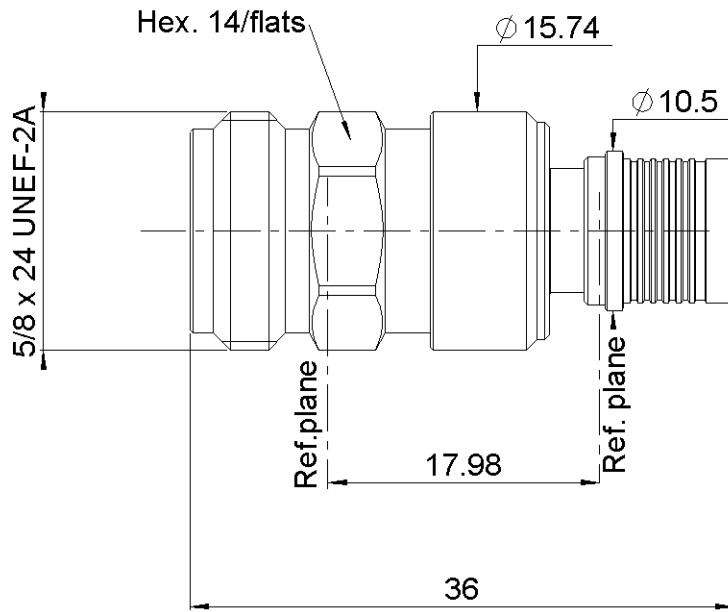
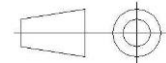


PAGE 1/2	ISSUE 18-06-15B	SERIES ADAPT	PART NUMBER R191763000
----------	-----------------	--------------	------------------------



All dimensions are in mm.



COMPONENTS	MATERIALS	PLATING (µm)
Body	<b>BRASS.</b>	<b>BBR</b>
Center contact	<b>BERYLLIUM COPPER</b>	<b>GOLD OVER COPPER</b>
Outer contact	<b>BRONZE</b>	<b>BBR</b>
Insulator	<b>PTFE</b>	
Gasket		
Others parts	<b>BRASS.</b>	<b>BBR</b>
-	-	-
-	-	-

PAGE <b>2/2</b>	ISSUE <b>18-06-15B</b>	SERIES <b>ADAPT</b>	PART NUMBER <b>R191763000</b>
-----------------	------------------------	---------------------	-------------------------------

**PACKAGING**

Standard	Unit	Other
<b>1</b>	<b>Contact us</b>	<b>Contact us</b>

**ELECTRICAL CHARACTERISTICS**

Impedance		<b>50</b>	Ω
Frequency		<b>0-6</b>	GHz
VSWR	<b>1.3</b>	<b>+</b>	<b>0,0000</b> x F(GHz) Maxi
Insertion loss		<b>0.06</b>	√F(GHz) dB Maxi
RF leakage	<b>- (</b>	<b>*80</b>	- F(GHz) dB Maxi
Voltage rating		<b>500</b>	Veff Maxi
Dielectric withstanding voltage		<b>1000</b>	Veff mini
Insulation resistance		<b>5000</b>	MΩ mini

**ENVIRONMENTAL**

Operating	<b>-40/+105</b>	°C
Hermetic seal	<b>NA</b>	Atm.cm3/s
Panel leakage	<b>NA</b>	

**MECHANICAL CHARACTERISTICS**

Center contact retention			
Axial force – Mating End		<b>27</b>	N mini
Axial force – Opposite end		<b>27</b>	N mini
Torque		<b>NA</b>	N.cm mini

**SPECIFICATION**

Recommended torque			
Mating	<b>N</b>	<b>0</b>	N.cm
	<b>QMA</b>	<b>0</b>	N.cm
		<b>0</b>	N.cm
Panel nut		<b>NA</b>	N.cm

**OTHER CHARACTERISTICS**

**\*RF leakage Interf. only: 3<F<6GHz=>70dB  
<-120dBc at 1.8GHz ( 2 x 20W )**

Mating life	<b>100</b>	Cycles mini
Weight	<b>30,3100</b>	g