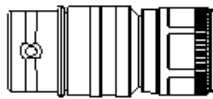
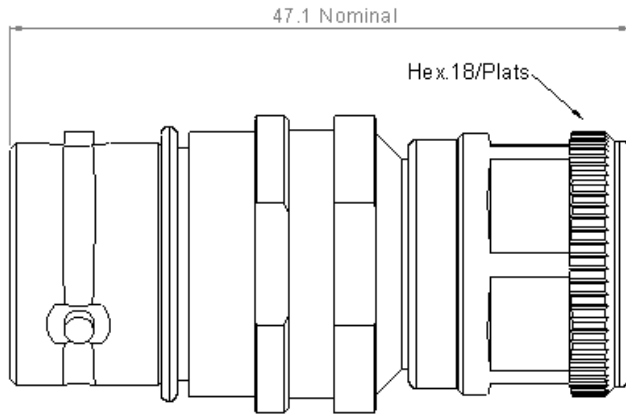


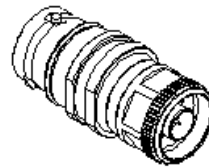
**QLI MALE- N MALE  
STRAIGHT ADAPTER 6GHZ**

**R191792000**

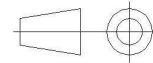
Série : **ADAPTER**



Scale 1:1



All dimensions are in mm.



COMPONENTS	MATERIALS	PLATING (µm)
<b>BODY</b>	<b>BRASS</b>	<b>BBR</b>
<b>CENTER CONTACT</b>	<b>BRASS</b>	<b>Silver over Copper</b>
<b>OUTER CONTACT</b>	<b>BRASS</b>	<b>BBR</b>
<b>INSULATOR</b>	<b>PTFE</b>	
<b>GASKET</b>	<b>SILICONE RUBBER</b>	
<b>OTHERS PARTS</b>		
-	-	-
-	-	-

**Issue : 1243 A**

In the effort to improve our products, we reserve the rights to make changes judged to be necessary.



**QLI MALE- N MALE  
STRAIGHT ADAPTER 6GHZ**

**R191792000**

Série : ADAPTER

**PACKAGING**

Standard	Unit	Other
<b>1</b>	<b>'W' option</b>	<b>Contact us</b>

**SPECIFICATION**

**ELECTRICAL CHARACTERISTICS**

Impedance	<b>50</b>	$\Omega$
Frequency	<b>0-6</b>	GHz
VSWR	* + <b>0.0000</b>	x F(GHz) Maxi
Insertion loss	**	$\sqrt{F(GHz)}$ dB Maxi
RF leakage	- ( <b>NA</b> - F(GHz))	dB Maxi
Voltage rating	<b>NA</b>	Veff Maxi
Dielectric withstanding voltage	<b>2000</b>	Veff mini
Insulation resistance	<b>5000</b>	M $\Omega$ mini

**ENVIRONMENTAL**

Operating	<b>-40/+80</b>	$^{\circ}$ C
Hermetic seal	<b>NA</b>	Atm.cm3/s
Panel leakage	<b>NA</b>	

**OTHER CHARACTERISTICS**

* VSWR :	$\leq 1.08$ @ DC-2 GHz
	$\leq 1.10$ @ 2 - 3 GHz
	$\leq 1.15$ @ 3 - 6 GHz
**IL :	$\leq 0.06$ dB @ DC-2 GHz
	$\leq 0.1$ dB @ 2- 3 GHz
	$\leq 0.12$ dB @ 3 - 6 GHz

**MECHANICAL CHARACTERISTICS**

Center contact retention	
Axial force – Mating end	<b>NA</b> N mini
Axial force – Opposite end	<b>NA</b> N mini
Torque	<b>NA</b> N.cm mini

Recommended torque	
Mating	<b>0</b> N.cm
	<b>0</b> N.cm
	<b>0</b> N.cm
Panel nut	<b>0</b> N.cm

Mating life	<b>100</b> Cycles mini
Weight	g

Issue : 1243 A

In the effort to improve our products, we reserve the rights to make changes judged to be necessary.

