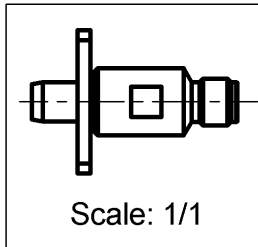
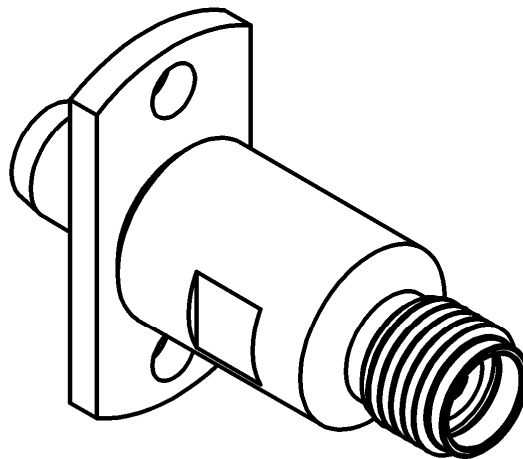
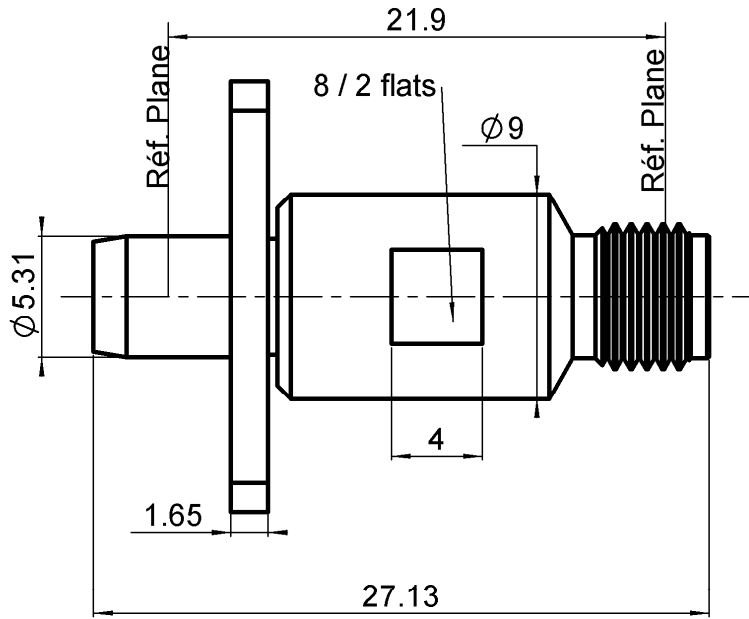
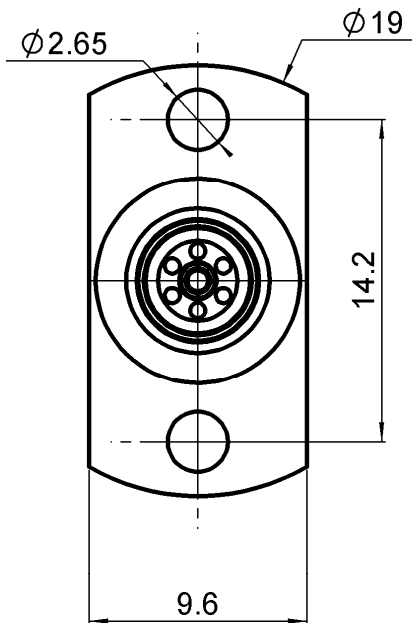


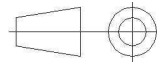
ADAPTATOR BMA MALE - SMA3.5 FEMALE

R191.825.401

Série : ADAPT



All dimensions are in mm.



COMPONENTS	MATERIALS	PLATING (µm)
BODY	STAINLESS STEEL	PASSIVATION
CENTER CONTACT	BERYLLIUM COPPER	GOLD 1.3 OVER NICKEL2
OUTER CONTACT	BERYLLIUM COPPER	GOLD 1.3 OVER NICKEL2
INSULATOR	Q200-5	
GASKET	-	
OTHERS PARTS	STAINLESS STEEL	PASSIVATION
-	-	
-	-	

Issue : 0902 A

In the effort to improve our products, we reserve the rights to make changes judged to be necessary.



ADAPTATOR BMA MALE - SMA3.5 FEMALE

R191.825.401

Série : ADAPT

PACKAGING

SPECIFICATION

Standard	Unit	Other
1	-	Contact us

ELECTRICAL CHARACTERISTICS

ENVIRONMENTAL

Impedance		50 Ω
Frequency		0-22 GHz
VSWR	TBD +	0,0000 x F(GHz) Maxi
Insertion loss		0.03 √F(GHz) dB Maxi
RF leakage	- (90 - F(GHz)) dB Maxi
Voltage rating		335 Veff Maxi
Dielectric withstanding voltage		1000 Veff mini
Insulation resistance		5000 MΩ mini

Operating	-65/+165 °C
Hermetic seal	NA Atm.cm3/s
Panel leakage	NA

MECHANICAL CHARACTERISTICS

OTHER CHARACTERISTICS

Center contact retention		
Axial force – Mating end		27 N mini
Axial force – Opposite end		27 N mini
Torque		NA N.cm mini
Recommended torque		
Mating	BMA	0 N.cm
	SMA3.5	0 N.cm
		0 N.cm
Panel nut		NA N.cm
Mating life		500 Cycles mini
Weight		8,7600 g

Issue : 0902 A

In the effort to improve our products, we reserve the rights to make changes judged to be necessary.



PRELIMINARY