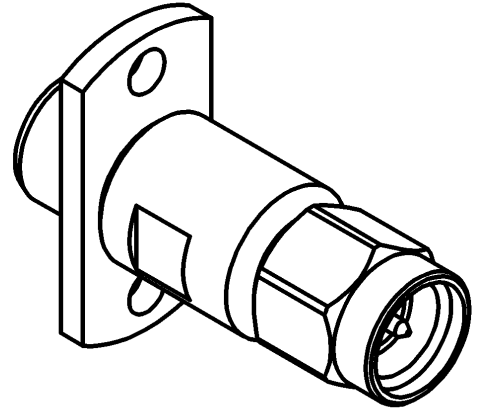
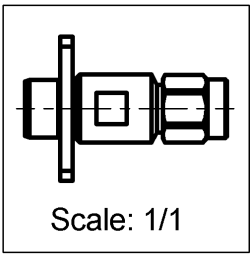
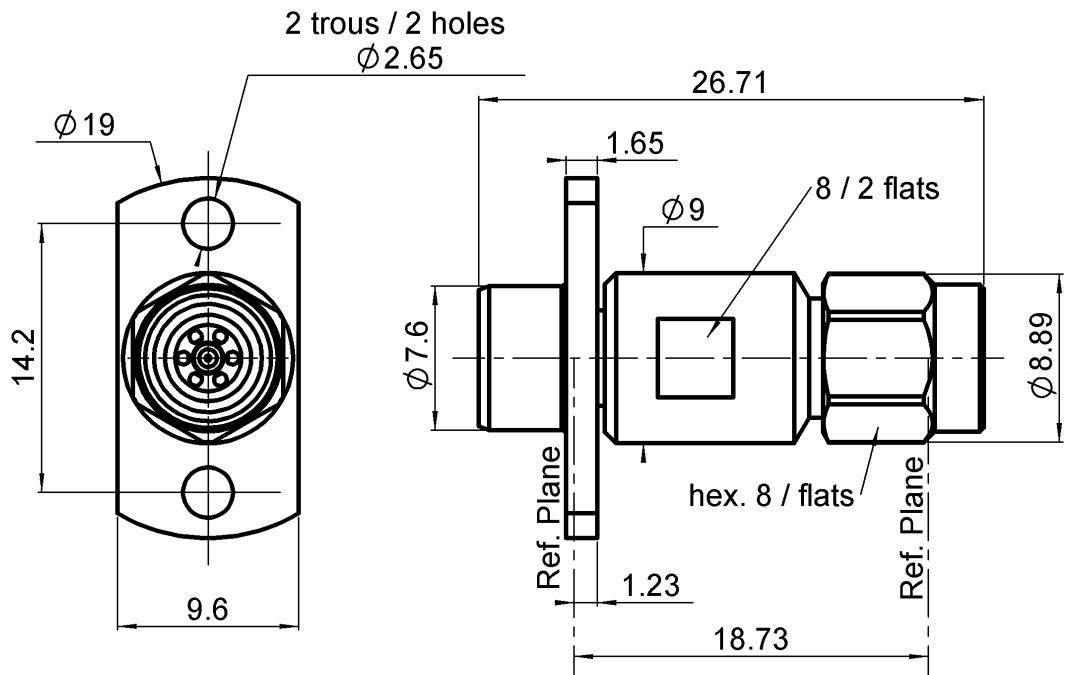
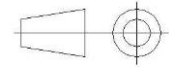


PAGE 1/2	ISSUE 06-01-17A	SERIES ADAPT	PART NUMBER R191826401
----------	-----------------	--------------	------------------------



All dimensions are in mm.



COMPONENTS	MATERIALS	PLATING (µm)
Body	STAINLESS STEEL	PASSIVATED
Center contact	BERYLLIUM COPPER	GOLD 1.3 OVER NICKEL2
Outer contact	BERYLLIUM COPPER	GOLD 1.3 OVER NICKEL2
Insulator	Q200-5	
Gasket	-	
Others parts	STAINLESS STEEL	PASSIVATED
-	-	-
-	-	-

PAGE 2/2	ISSUE 06-01-17A	SERIES ADAPT	PART NUMBER R191826401
-----------------	------------------------	---------------------	-------------------------------

PACKAGING

Standard	Unit	Other
1	-	Contact us

ELECTRICAL CHARACTERISTICS

Impedance		50		Ω
Frequency		0-22		GHz
VSWR	1.05	+	0,0070	x F(GHz) Maxi
Insertion loss			0.03	\sqrt{F} (GHz) dB Maxi
RF leakage		- (80	- F(GHz)) dB Maxi
Voltage rating			335	Veff Maxi
Dielectric withstanding voltage			1000	Veff mini
Insulation resistance			5000	M Ω mini

ENVIRONMENTAL

Operating	-65/+165	$^{\circ}$ C
Hermetic seal	NA	Atm.cm3/s
Panel leakage	NA	

MECHANICAL CHARACTERISTICS

<u>Center contact retention</u>				
Axial force – Mating End		27		N mini
Axial force – Opposite end		27		N mini
Torque		NA		N.cm mini
<u>Recommended torque</u>				
Mating	BMA		0	N.cm
	SMA3.5		110	N.cm
			0	N.cm
Panel nut			NA	N.cm
Mating life		500		Cycles mini
Weight		10,2900		g

SPECIFICATION

OTHER CHARACTERISTICS