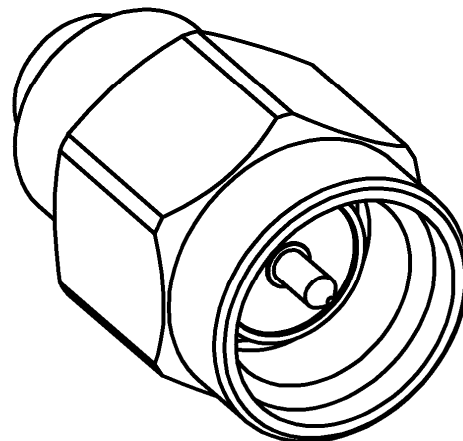
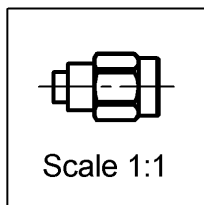
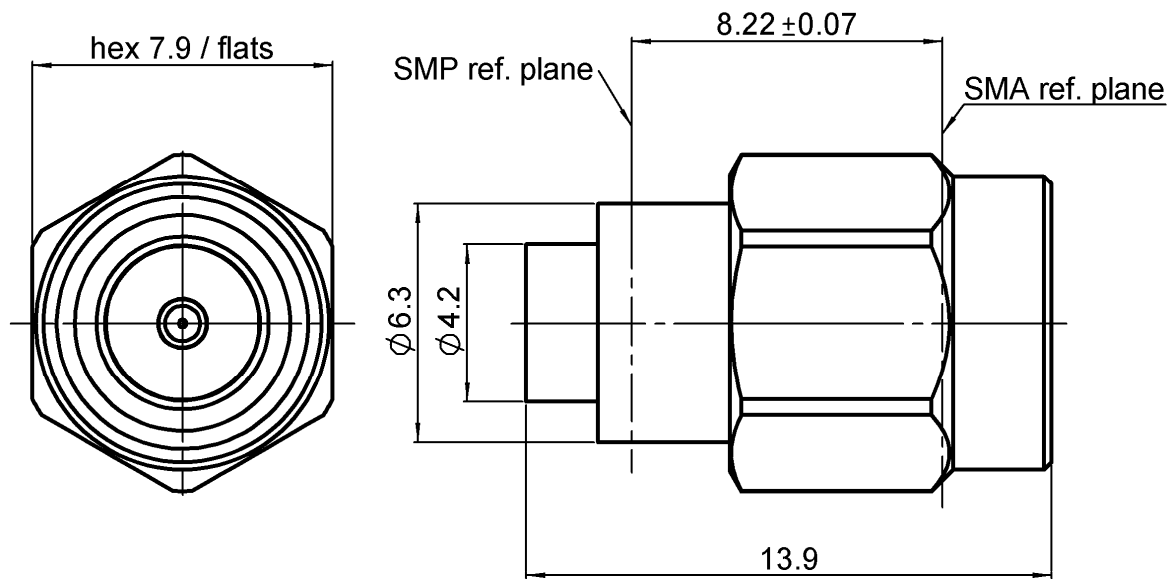


STRAIGHT SMA MALE - SMP MALE ADAPTER

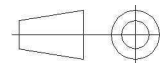
R191.841.001

FULL DETENT

Série : ADAPT



All dimensions are in mm.



COMPONENTS	MATERIALS	PLATING (µm)
BODY	STAINLESS STEEL	PASSIVATED
CENTER CONTACT	BERYLLIUM COPPER	GOLD 1.27 OVER NICKEL 1.27
OUTER CONTACT	-	-
INSULATOR	PTFE	
GASKET	SILICONE RUBBER	
OTHERS PARTS	BERYLLIUM COPPER	NICKEL .
-	STAINLESS STEEL	PASSIVATED
-	-	-

Issue : 0931 B

In the effort to improve our products, we reserve the rights to make changes judged to be necessary.



STRAIGHT SMA MALE - SMP MALE ADAPTER

R191.841.001

FULL DETENT

Série : ADAPT

PACKAGING

SPECIFICATION

Standard	Unit	Other
100	'W' option	Contact us

ELECTRICAL CHARACTERISTICS

ENVIRONMENTAL

Impedance	50	Ω
Frequency	0-18	GHz
VSWR	1.15 + 0,0000	x F(GHz) Maxi
Insertion loss	0.12	\sqrt{F} (GHz) dB Maxi
RF leakage	- (NA)	- F(GHz)) dB Maxi
Voltage rating	335	Veff Maxi
Dielectric withstanding voltage	500	Veff mini
Insulation resistance	5000	M Ω mini

Operating	-65/+165	$^{\circ}$ C
Hermetic seal	NA	Atm.cm3/s
Panel leakage	NA	

MECHANICAL CHARACTERISTICS

OTHER CHARACTERISTICS

Center contact retention		
Axial force – Mating end	27*	N mini
Axial force – Opposite end	6.8**	N mini
Torque	NA	N.cm mini

SMA mating end
SMP mating end

* SMA mating end
** SMP mating end

Recommended torque		
Mating	SMA	110 N.cm
	SMP	0 N.cm
		0 N.cm
Panel nut		N.cm

Mating life	100	Cycles mini
Weight	2,8100	g

Issue : 0931 B

In the effort to improve our products, we reserve the rights to make changes judged to be necessary.

