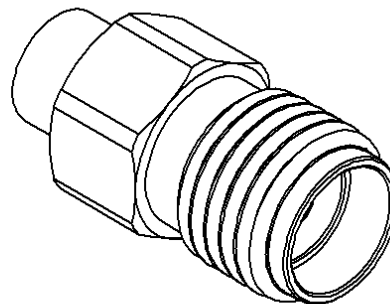
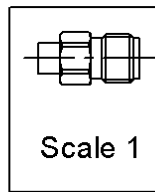
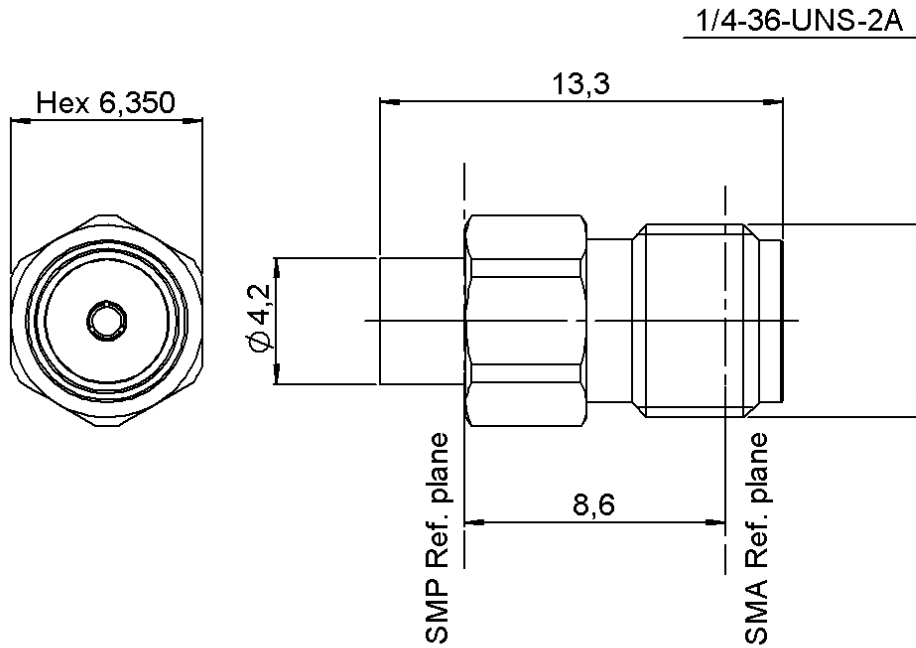


SMA FEMALE-SMP MALE FULL DETENT ADAPTOR

**R191.843.001**

Série : ADAPT



All dimensions are in mm.



COMPONENTS	MATERIALS	PLATING (µm)
BODY	STAINLESS STEEL	PASSIVATED .
CENTER CONTACT	BERYLLIUM COPPER	GOLD 1.27 OVER NICKEL 1.27
OUTER CONTACT	-	-
INSULATOR	PTFE	-
GASKET	-	-
OTHERS PARTS	-	-
-	-	-
-	-	-

Issue : 0722 B

In the effort to improve our products, we reserve the rights to make changes judged to be necessary.



**SMA FEMALE-SMP MALE FULL DETENT ADAPTOR**

**R191.843.001**

Série : ADAPT

**PACKAGING**

**SPECIFICATION**

Standard	Unit	Other
<b>100</b>	<b>'W' option</b>	<b>Contact us</b>

**ELECTRICAL CHARACTERISTICS**

**ENVIRONMENTAL**

Impedance	<b>50</b>	$\Omega$
Frequency	<b>0-18</b>	GHz
VSWR	<b>1.40 + 0,0000</b>	x F(GHz) Maxi
Insertion loss	<b>0.12</b>	$\sqrt{F}$ (GHz) dB Maxi
RF leakage	- ( <b>NA</b> )	- F(GHz) dB Maxi
Voltage rating	<b>335</b>	Veff Maxi
Dielectric withstanding voltage	<b>500</b>	Veff mini
Insulation resistance	<b>5000</b>	M $\Omega$ mini

Operating	<b>-65/+165</b>	$^{\circ}$ C
Hermetic seal	<b>NA</b>	Atm.cm3/s
Panel leakage	<b>NA</b>	

**MECHANICAL CHARACTERISTICS**

**OTHER CHARACTERISTICS**

Center contact retention		
Axial force – Mating end	<b>27*</b>	N mini
Axial force – Opposite end	<b>6.8**</b>	N mini
Torque	<b>NA</b>	N.cm mini

SMA mating end\*  
SMP mating end\*\*

Recommended torque		
Mating	<b>SMA</b>	<b>0</b> N.cm
	<b>SMP</b>	<b>0</b> N.cm
		<b>0</b> N.cm
Panel nut		N.cm

Mating life	<b>100</b>	Cycles mini
Weight	<b>1,9000</b>	g

Issue : 0722 B

In the effort to improve our products, we reserve the rights to make changes judged to be necessary.

