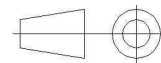
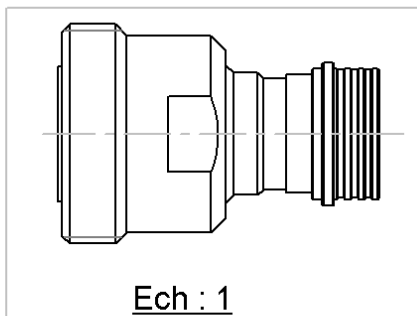
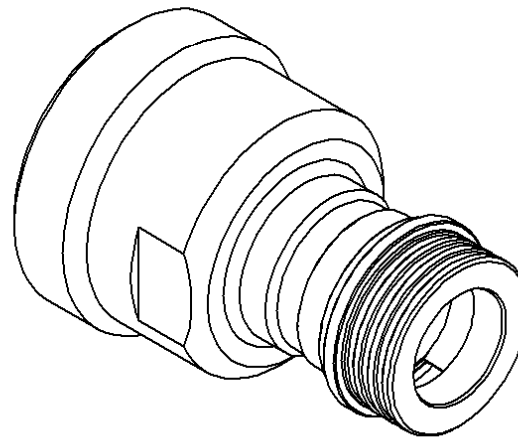
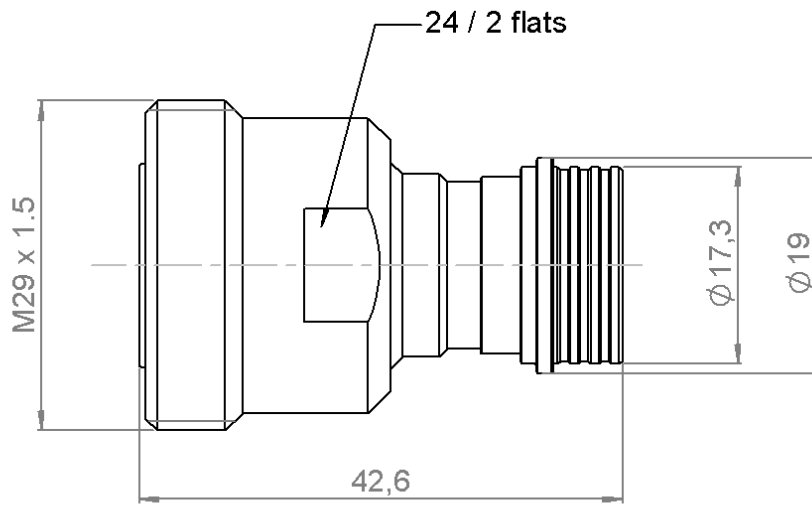


**QN MALE - 7/16 FEMALE ADAPTER**

**R191.922.000**

Série : ADAPT



All dimensions are in mm.

COMPONENTS	MATERIALS	PLATING (µm)
<b>BODY</b>	<b>BRASS</b>	<b>BBR 0.5 OVER SILVER 3</b>
<b>CENTER CONTACT</b>	<b>BERYLLIUM COPPER</b>	<b>SILVER 5 PASSIVATED OVER COPPER 0.5</b>
<b>OUTER CONTACT</b>	<b>BERYLLIUM COPPER, BRASS</b>	<b>NPGR</b>
<b>INSULATOR</b>	<b>PTFE</b>	
<b>GASKET</b>	<b>EPDM</b>	
<b>OTHERS PARTS</b>	<b>BRASS</b>	<b>BBR 2</b>
-	-	-
-	-	-

**Issue : 1309 D**

In the effort to improve our products, we reserve the rights to make changes judged to be necessary.  
 This document contains proprietary information and such information shall not be disclosed to any third party for any purpose whatsoever or used for manufacturing purposes without prior written agreement from RADIALL



**QN MALE - 7/16 FEMALE ADAPTER**

**R191.922.000**

Série : ADAPT

**PACKAGING**

**SPECIFICATION**

Standard	Unit	Other
<b>1</b>		<b>Contact us</b>

**ELECTRICAL CHARACTERISTICS**

**ENVIRONMENTAL**

Impedance		<b>50</b> Ω
Frequency		<b>0-6*</b> GHz
VSWR	<b>1.05</b> +	<b>0,0250</b> x F(GHz) Maxi
Insertion loss		<b>0.048</b> √F(GHz) dB Maxi
RF leakage	- (	<b>**90</b> - F(GHz)) dB Maxi
Voltage rating		<b>1400</b> Veff Maxi
Dielectric withstanding voltage		<b>2500</b> Veff mini
Insulation resistance		<b>5000</b> MΩ mini

Operating	<b>-55/+125</b> ° C
Hermetic seal	<b>NA</b> Atm.cm3/s
Panel leakage	<b>NA</b>

**MECHANICAL CHARACTERISTICS**

**OTHER CHARACTERISTICS**

Center contact retention		
Axial force – Mating end		<b>68</b> N mini
Axial force – Opposite end		<b>68</b> N mini
Torque		<b>NA</b> N.cm mini

- \* Usable 7.5GHz
- \*\*RF Leakage : -80dB min 3<F<6GHz
- \*\*\*PIM3: -112dBm (2 x 20W at 1.8GHz)

Recommended torque		
Mating	<b>7-16</b>	<b>0</b> N.cm
	<b>QN</b>	<b>0</b> N.cm
		<b>0</b> N.cm
Panel nut		N.cm

Mating life		<b>100</b> Cycles mini
Weight		<b>79,5000</b> g

**Issue : 1309 D**

In the effort to improve our products, we reserve the rights to make changes judged to be necessary.  
 This document contains proprietary information and such information shall not be disclosed to any third party for any purpose whatsoever or used for manufacturing purposes without prior written agreement from RADIALL

