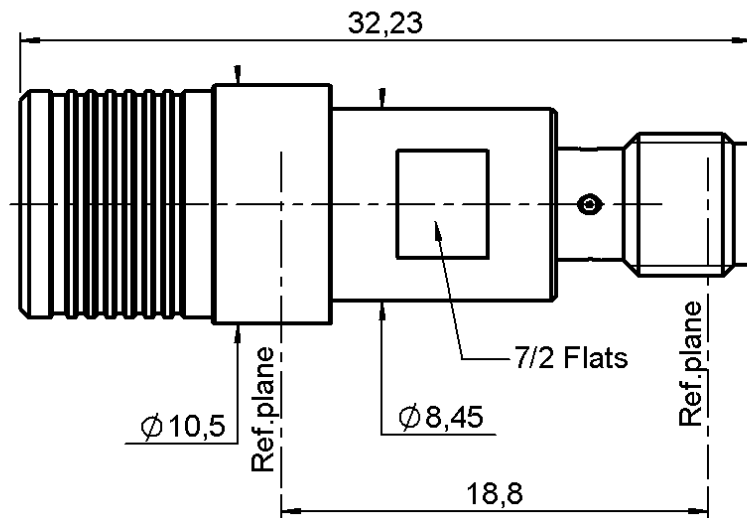


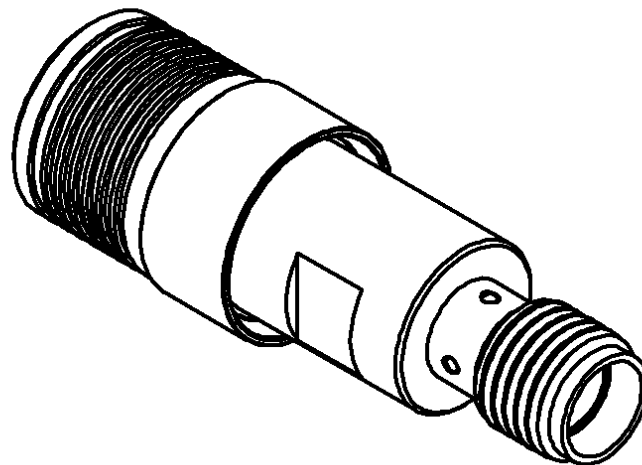
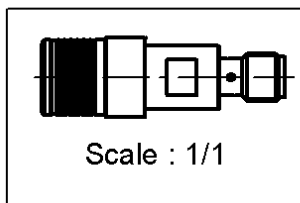
QRE MALE - SMA FEMALE STRAIGHT ADAPTER

R191.926.L01

Série : ADAPT



ASPECT MAT
MAT ASPECT



All dimensions are in mm.

COMPONENTS	MATERIALS	PLATING (µm)
BODY	STAINLESS STEEL (316L)	PASSIVATED .
CENTER CONTACT	BERYLLIUM COPPER	GOLD 2.5 OVER NICKEL 2
OUTER CONTACT	BERYLLIUM COPPER	NPGR
INSULATOR	PTFE	
GASKET	FLUORE SILICONE	
OTHERS PARTS	STAINLESS STEEL (316L)	PASSIVATED .
-	-	-
-	-	-

Issue : 0647 A

In the effort to improve our products, we reserve the rights to make changes judged to be necessary.



QRE MALE - SMA FEMALE STRAIGHT ADAPTER

R191.926.L01

Série : ADAPT

PACKAGING

SPECIFICATION

Standard	Unit	Other
1		Contact us

ELECTRICAL CHARACTERISTICS

Impedance		50 Ω
Frequency		0-12.4 GHz
VSWR	1.035 +	0,0150 x F(GHz) Maxi
Insertion loss		0.07 √F(GHz) dB Maxi
RF leakage	- (* - F(GHz)) dB Maxi
Voltage rating		500 Veff Maxi
Dielectric withstanding voltage		1000 Veff mini
Insulation resistance		5000 MΩ mini

ENVIRONMENTAL

Operating	-55/+165 ° C
Hermetic seal	NA Atm.cm3/s
Panel leakage	NA

MECHANICAL CHARACTERISTICS

Center contact retention		
Axial force – Mating end		27 N mini
Axial force – Opposite end		27 N mini
Torque		2.8 N.cm mini
Recommended torque		
Mating	QRE	0 N.cm
	SMA	0 N.cm
		0 N.cm
Panel nut		N.cm
Mating life		100 Cycles mini
Weight		9,2290 g

OTHER CHARACTERISTICS

*RF leakage: 95 @ 3GHz / 80 @ 12.4 GHz

Issue : 0647 A

In the effort to improve our products, we reserve the rights to make changes judged to be necessary.

