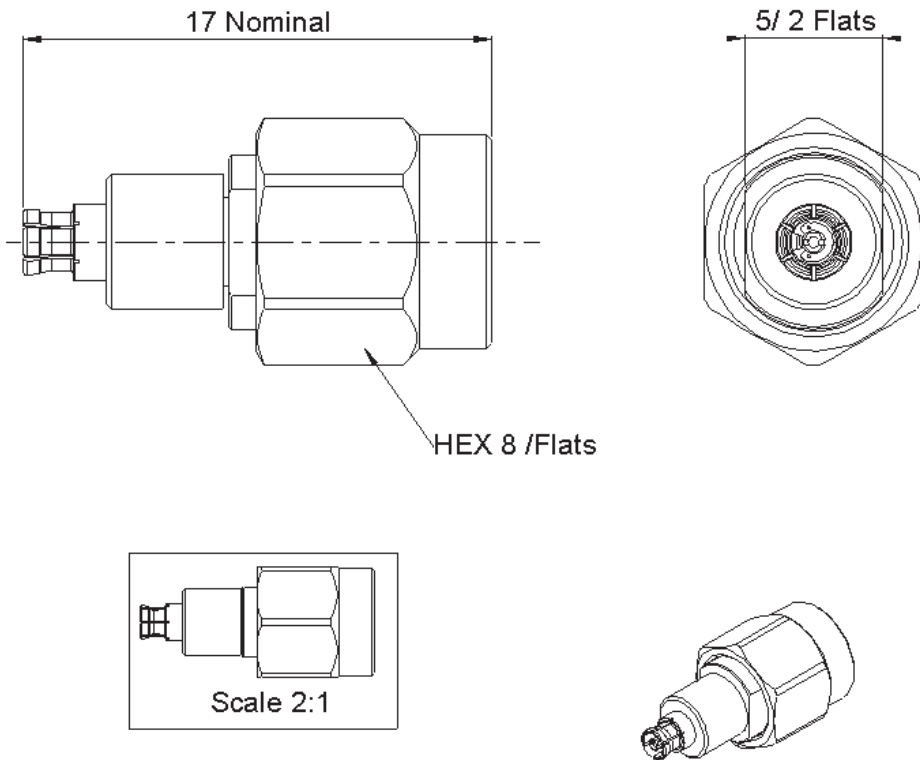
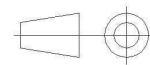


PAGE 1/2	ISSUE 1343A	SERIES ADAPT	PART NUMBER R191957000
----------	-------------	--------------	-------------------------------



All dimensions are in mm.



COMPONENTS	MATERIALS	PLATING (µm)
Body	BRASS	NPGR
Center contact	BERYLLIUM COPPER	GOLD OVER NICKEL
Outer contact	BERYLLIUM COPPER	GOLD OVER NICKEL
Insulator	PEEK	
Gasket	SILICONE RUBBER	
Others parts	STAINLESS STEEL	PASSIVATED
-	-	-
-	-	-

PAGE 2/2	ISSUE 1343A	SERIES ADAPT	PART NUMBER R191957000
----------	-------------	--------------	-------------------------------

PACKAGING

Standard	Unit	Other
1		Contact us

ELECTRICAL CHARACTERISTICS

Impedance		50	Ω
Frequency		0-40	GHz
VSWR	* +	0.0000	x F(GHz) Maxi
Insertion loss		**	\sqrt{F} (GHz) dB Maxi
RF leakage	- (NA	- F(GHz)) dB Maxi
Voltage rating		335	Veff Maxi
Dielectric withstanding voltage		500	Veff mini
Insulation resistance		5000	M Ω mini

ENVIRONMENTAL

Operating	-40/+105	$^{\circ}\text{C}$
Hermetic seal	NA	Atm.cm3/s
Panel leakage	NA	

MECHANICAL CHARACTERISTICS

Center contact retention			
Axial force – Mating End		6.7	N mini
Axial force – Opposite end		6.7	N mini
Torque		NA	N.cm mini
Recommended torque			
Mating	SMAM 2.9	NA	N.cm
	SMPM	0	N.cm
		0	N.cm
Panel nut		NA	N.cm
Mating life		100	Cycles mini
Weight		3.2000	g

SPECIFICATION

OTHER CHARACTERISTICS

- **0-22GHz**
- * **1.16max**
- ** **0.12dB max**