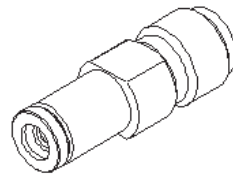
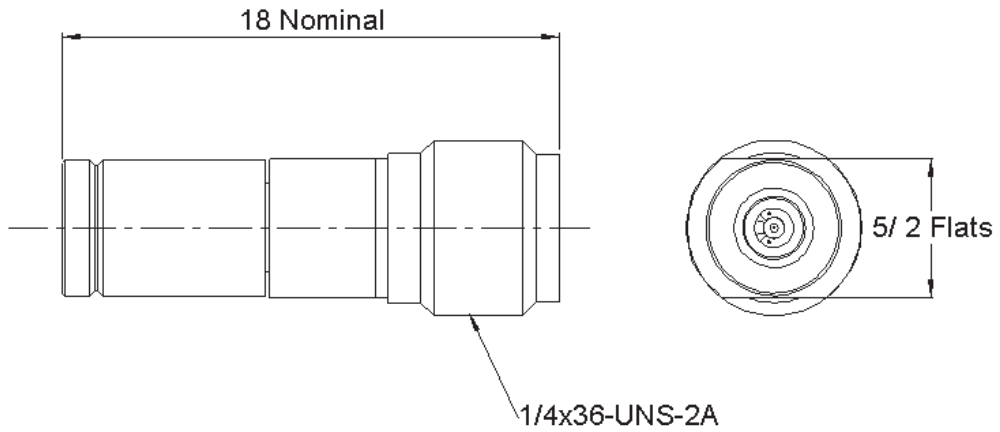
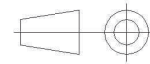


PAGE 1/2	ISSUE 1343A	SERIES ADAPT	PART NUMBER R191958000
----------	-------------	--------------	-------------------------------



All dimensions are in mm.



COMPONENTS	MATERIALS	PLATING (µm)
Body	BRASS	NPGR
Center contact	BERYLLIUM COPPER	GOLD OVER NICKEL
Outer contact	BRASS	GOLD OVER NICKEL
Insulator	PEEK	
Gasket		
Others parts		
-	-	-
-	-	-

PAGE 2/2	ISSUE 1343A	SERIES ADAPT	PART NUMBER R191958000
----------	-------------	--------------	-------------------------------

PACKAGING

Standard	Unit	Other
1		Contact us

ELECTRICAL CHARACTERISTICS

Impedance	50	Ω
Frequency	0-40	GHz
VSWR	* + 0.0000	x F(GHz) Maxi
Insertion loss	**	\sqrt{F} (GHz) dB Maxi
RF leakage	- (NA	- F(GHz)) dB Maxi
Voltage rating	335	Veff Maxi
Dielectric withstanding voltage	500	Veff mini
Insulation resistance	5000	M Ω mini

ENVIRONMENTAL

Operating	-40/+105	$^{\circ}\text{C}$
Hermetic seal	NA	Atm.cm3/s
Panel leakage	NA	

MECHANICAL CHARACTERISTICS

Center contact retention		
Axial force – Mating End	6.7	N mini
Axial force – Opposite end	6.7	N mini
Torque	NA	N.cm mini
Recommended torque		
Mating	SMAF 2.9	0 N.cm
	SMPM M	0 N.cm
		0 N.cm
Panel nut		NA N.cm
Mating life	100	Cycles mini
Weight	2.8790	g

SPECIFICATION

OTHER CHARACTERISTICS

- **0-22GHz**
- * **1.16max**
- ** **0.12dB max**