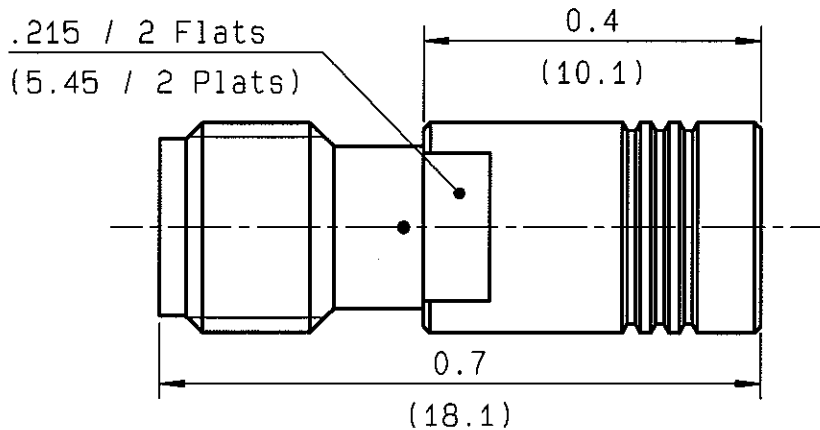


SMA FEMALE - RP SMB PLUG ADAPTER

R191.976.307
SERIES ADAPT

4 Creves pour immobilisation du contact-central
 (4 idents for center-contact captivation).
 (4-Punkt-Crimping zur Fixierung des innenleiters).



NOMINAL IMPEDANCE	50 Ω
FREQUENCY RANGE	0-4 GHz
TEMPERATURE RATING	-65/+165 °C
V.S.W.R	1.05 + .005 × F(GHz)Max
RF INSERTION LOSS	0.05 √F(GHz) dB Max
VOLTAGE RATING	500 V _{eff} Max
DIELECTRIC WITHSTANDING VOLTAGE	1000 V _{eff} Min
INSULATION RESISTANCE	1000 MΩ Mini
HERMETIC SEAL	NA Atm.cm ³ /s
LEAKAGE (pressurized only)	NA
MECHANICAL DURABILITY	500 Cycles
WEIGHT	gr
SPECIFICATION	

CABLES :	
OTHERS CHARACTERISTICS	
CABLE RETENTION	N Mini
CENTER CONTACT RETENTION	
Axial force - mating end	10 N Mini
Axial force - opposite end	10 N Mini
Torque	NA cm.N Mini
RECOMMENDED TORQUES	
Mating	NA cm.N
Panel nut	NA cm.N
Clamp nut	NA cm.N

CONNECTOR PARTS	MATERIALS	FINISH	(all values are given in micrometers)
BODY	BRASS	BBR 2	
OUTER CONTACT	BERYLLIUM COPPER	GOLD 0.5 OVER NICKEL 2	
CENTER CONTACT	BERYLLIUM COPPER	GOLD 1.3 OVER COPPER 2.5	
INSULATOR	PTFE	-	
GASKET		-	
OTHERS PIECES			

COLLINS

ISSUE 0505 A01	CREATION DATE 05/11/1997	FILE PART-NUMBER 97-0400-587
--------------------------	------------------------------------	--



The information given here is subject to change without notice.
 Design changes may be in order to improve the product.

Connect to the future