

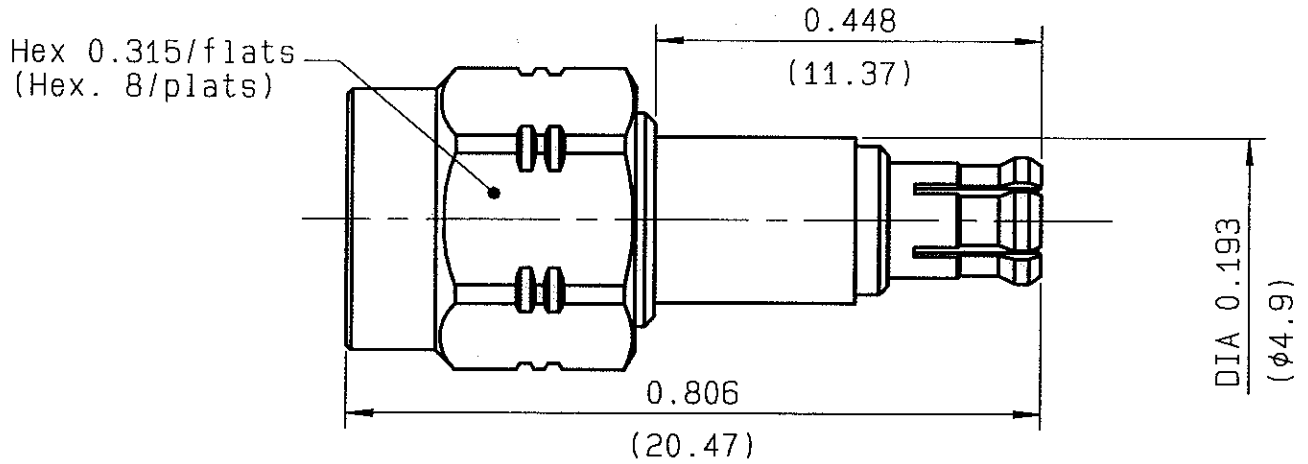
**SMA MALE - R-MCX FEMALE
STRAIGHT ADAPTER**

R191.977.020

SERIES

ADAPT

4 Creves pour immobilisation du contact-central
(4 idents for center-contact captivation).
(4-Punkt-Crimping zur Fixierung des innenleiters).



NOMINAL IMPEDANCE	50 Ω	CABLES :	
FREQUENCY RANGE	0-6 GHz		
TEMPERATURE RATING	-55/+155 °C		
V.S.W.R	1.1 + .04 x F(GHz)Maxi		
RF INSERTION LOSS	0.25 √F(GHz) dB Maxi		
VOLTAGE RATING	500 Veff Maxi		
DIELECTRIC WITHSTANDING VOLTAGE	1000 Veff Mini		
INSULATION RESISTANCE	1000 MΩMini	OTHERS CHARACTERISTICS	
HERMETIC SEAL	NA Atm.cm ³ /s	CABLE RETENTION	N Mini
LEAKAGE (pressurized only)	NA	CENTER CONTACT RETENTION	
MECHANICAL DURABILITY	500 Cycles	Axial force - mating end	10 N Mini
WEIGHT	gr	Axial force - opposite end	10 N Mini
SPECIFICATION		Torque	NA cm.N Mini
		RECOMMENDED TORQUES	
		Mating	NA cm.N
		Panel nut	NA cm.N
		Clamp nut	NA cm.N

CONNECTOR PARTS	MATERIALS	FINISH	(all values are given in micrometers)
BODY	BRASS	NICKEL 2	
OUTER CONTACT	BERYLLIUM COPPER	TIN NICKEL	
CENTER CONTACT	BERYLLIUM COPPER	GOLD 1.3 OVER NICKEL 2	
INSULATOR	PTFE	-	
GASKET	SILICONE RUBBER	-	
OTHERS PIECES	BRASS	NICKEL 2	

MASTRAND

ISSUE	CREATION DATE	FILE PART-NUMBER
0430B00	20/11/1996	96-0400-542



RADIALL®

The information given here is subject to change without notice.
Design changes may be in order to improve the product.

Connect to the future