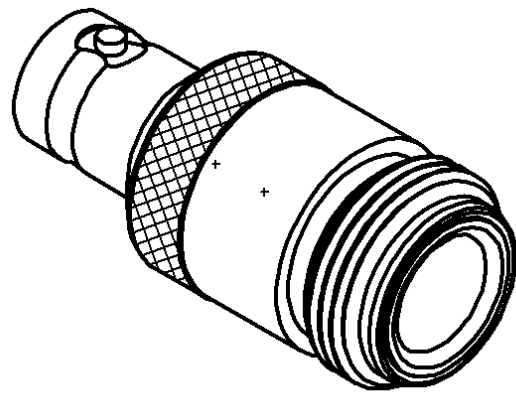
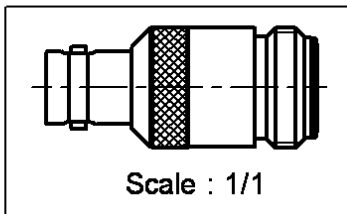
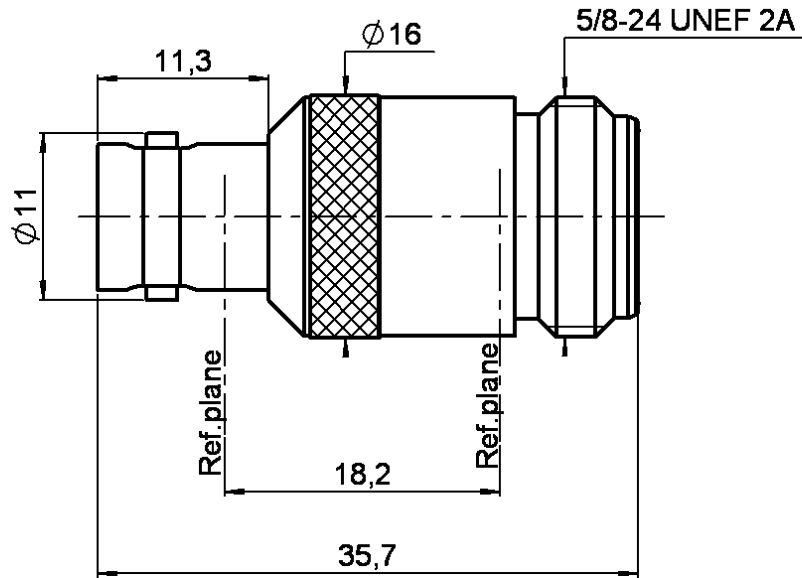


BNC FEMALE - N FEMALE ADAPTER

R192.418.000

Série : -



All dimensions are in mm.



COMPONENTS	MATERIALS	PLATINGS (μm)
BODY	BRASS	NICKEL 2
CENTER CONTACT	BERYLLIUM COPPER	GOLD 0.5 OVER NICKEL 2
OUTER CONTACT	BRASS	NICKEL 2
INSULATOR	PTFE	
GASKET	-	
OTHERS PARTS	-	
-	-	
-	-	

Issue : 0204 C

In the effort to improve our products, we reserve the rights to make changes judged to be necessary.



BNC FEMALE - N FEMALE ADAPTER

R192.418.000

Série : -

PACKAGING

SPECIFICATION

Standard	Unit	Other
	'W' option	Contact us

ELECTRICAL CHARACTERISTICS

ENVIRONMENTAL

Impedance		75 Ω
Frequency		0-1 GHz
VSWR	- +	0.000 x F(GHz) Maxi
Insertion loss		- √F(GHz) dB Maxi
RF leakage	- (NA - F(GHz)) dB Maxi
Voltage rating		500 Veff Maxi
Dielectric withstanding voltage		1500 Veff mini
Insulation resistance		5000 MΩ mini

Operating		-55/+155 ° C
Hermetic seal		NA Atm.cm3/s
Panel leakage		NA

MECHANICAL CHARACTERISTICS

OTHERS CHARACTERISTICS

Center contact retention		
Axial force – Mating end		27 N mini
Axial force – Opposite end		27 N mini
Torque		NA N.cm mini
Recommended torque		
Mating	BNC	0 N.cm
	N	0 N.cm
	-	0 N.cm
Panel nut		NA N.cm
Mating life		500 Cycles mini
Weight		0.000 g

Issue : 0204 C

In the effort to improve our products, we reserve the rights to make changes judged to be necessary.



RADIALL®