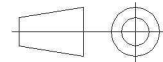
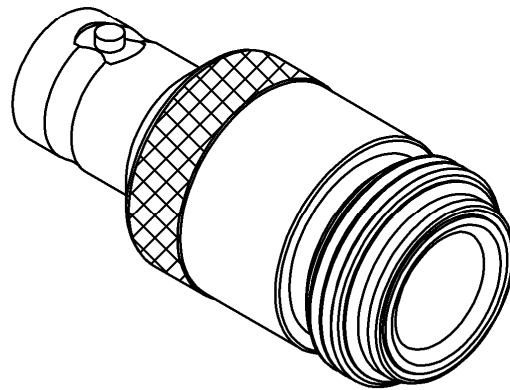
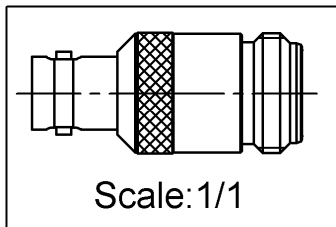
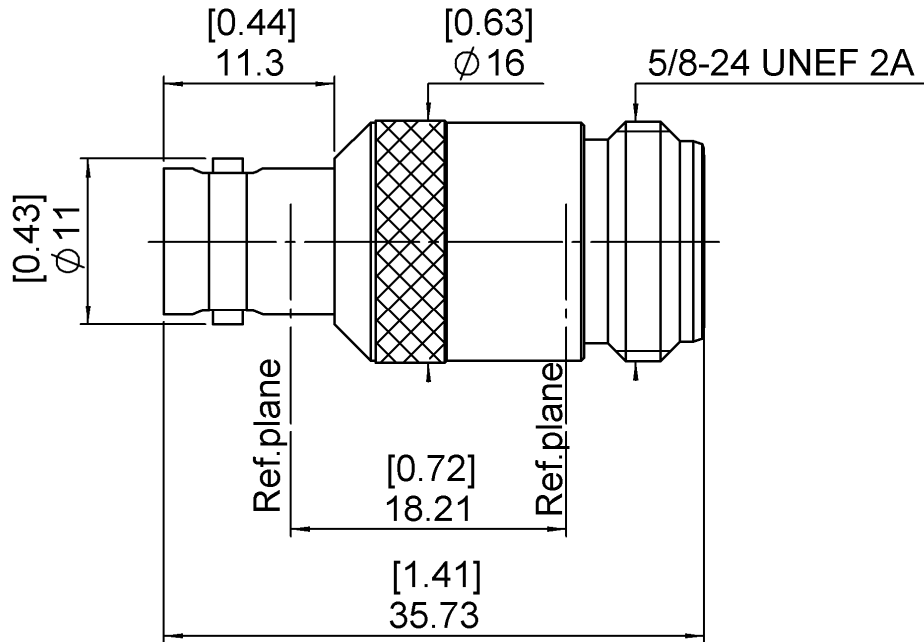


**BNC 75 HDTV FEMALE-N FEMALE**

**R192.418.010**

**STRAIGHT ADAPTER**

Série : ADAPTER 75



All dimensions are in mm.

COMPONENTS	MATERIALS	PLATING (µm)
BODY	BRASS	BBR2
CENTER CONTACT	BERYLLIUM COPPER	NPGR
OUTER CONTACT	BRASS	BBR2
INSULATOR	PTFE	
GASKET		
OTHERS PARTS		
-	-	-
-	-	-

Issue : 1147 A

In the effort to improve our products, we reserve the rights to make changes judged to be necessary.



**BNC 75 HDTV FEMALE-N FEMALE**

**R192.418.010**

**STRAIGHT ADAPTER**

Série : ADAPTER 75

**PACKAGING**

**SPECIFICATION**

Standard	Unit	Other
<b>1</b>	-	<b>Contact us</b>

**ELECTRICAL CHARACTERISTICS**

**ENVIRONMENTAL**

Impedance	<b>75</b> Ω
Frequency	<b>0-6</b> GHz
VSWR	<b>1.03 + 0,0200</b> x F(GHz) Maxi
Insertion loss	<b>0.1</b> √F(GHz) dB Maxi
RF leakage	- ( <b>55*</b> - F(GHz)) dB Maxi
Voltage rating	<b>500</b> Veff Maxi
Dielectric withstanding voltage	<b>1500</b> Veff mini
Insulation resistance	<b>5000</b> MΩ mini

Operating	<b>-65/+165</b> °C
Hermetic seal	<b>NA</b> Atm.cm3/s
Panel leakage	<b>NA</b>

**MECHANICAL CHARACTERISTICS**

**OTHER CHARACTERISTICS**

Center contact retention	
Axial force – Mating end	<b>15</b> N mini
Axial force – Opposite end	<b>15</b> N mini
Torque	<b>NA</b> N.cm mini

\*From 2 to 3 GHz

Recommended torque		
Mating	<b>BNC 75 HDTV</b>	<b>0</b> N.cm
	<b>N</b>	<b>0</b> N.cm
		<b>0</b> N.cm
Panel nut	<b>NA</b>	<b>NA</b> N.cm

Mating life	<b>500</b> Cycles mini
Weight	<b>30,7000</b> g

Issue : 1147 A

In the effort to improve our products, we reserve the rights to make changes judged to be necessary.

